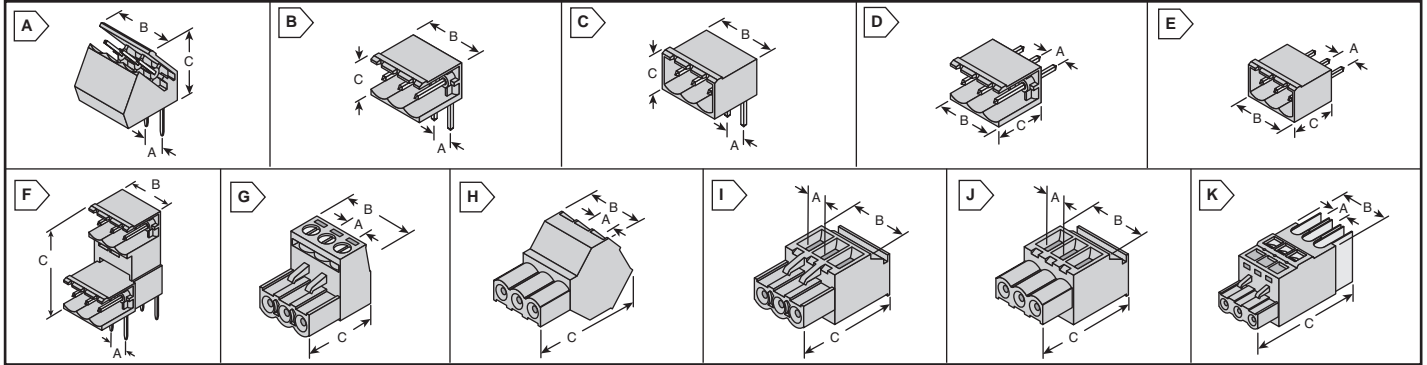


PHOENIX CONTACT 5.08mm Pluggable Terminal Blocks



RoHS compliant This product is RoHS compliant.



5.08MM HEADERS

PCB, Single Level, Through-Hole Solder Mounting

- RoHS Compliant per Phoenix documentation
- UL: 150V @ 15A & 300V @ 10A
- Color: Green



For quantities of 100 and up, call for quote.

MOUSER STOCK NO.	Mfr. Part No.	Fig.	Phoenix Type	Pos.	Dimensions: mm			Price Each		
					A	B	C	1	10	50
135° Socket-to-Pin Orientation Without Side Panels										
651-1769463		A	SMSTB 2.5/2-G-5.08	2	5.08	10.16	14.8	0,49	0,454	0,424
651-1769476		A	SMSTB 2.5/3-G-5.08	3	5.08	15.24	14.8	0,79	0,734	0,626
651-1769489		A	SMSTB 2.5/4-G-5.08	4	5.08	20.32	14.8	1,04	0,957	0,815
651-1769492		A	SMSTB 2.5/5-G-5.08	5	5.08	25.40	14.8	1,30	1,20	1,01
651-1769502		A	SMSTB 2.5/6-G-5.08	6	5.08	30.48	14.8	1,55	1,44	1,22
651-1769515		A	SMSTB 2.5/7-G-5.08	7	5.08	35.56	14.8	1,82	1,68	1,43
651-1769528		A	SMSTB 2.5/8-G-5.08	8	5.08	40.64	14.8	2,05	1,89	1,61
651-1769544		A	SMSTB 2.5/10-G-5.08	10	5.08	50.80	14.8	2,54	2,35	2,00
651-1769560		A	SMSTB 2.5/12-G-5.08	12	5.08	60.96	14.8	3,09	2,86	2,43

MOUSER STOCK NO.	Mfr. Part No.	Fig.	Phoenix Type	Pos.	Dimensions: mm			Price Each		
					A	B	C	1	10	50
90° Socket-to-Pin Orientation Without Side Panels										
651-1759017		B	MSTB 2.5/2-G-5.08	2	5.08	10.16	8.6	0,40	0,363	0,314
651-1759020		B	MSTB 2.5/3-G-5.08	3	5.08	15.24	8.6	0,62	0,569	0,485
651-1759033		B	MSTB 2.5/4-G-5.08	4	5.08	20.32	8.6	0,83	0,734	0,659
651-1759046		B	MSTB 2.5/5-G-5.08	5	5.08	25.40	8.6	1,02	0,949	0,809
651-1759059		B	MSTB 2.5/6-G-5.08	6	5.08	30.48	8.6	1,14	0,97	0,91
651-1759062		B	MSTB 2.5/7-G-5.08	7	5.08	35.56	8.6	1,33	1,13	1,06
651-1759075		B	MSTB 2.5/8-G-5.08	8	5.08	40.64	8.6	1,50	1,28	1,20
651-1759088		B	MSTB 2.5/9-G-5.08	9	5.08	45.72	8.6	1,80	1,66	1,36
651-1759091		B	MSTB 2.5/10-G-5.08	10	5.08	50.80	8.6	1,89	1,61	1,51
651-1759114		B	MSTB 2.5/12-G-5.08	12	5.08	60.96	8.6	2,28	1,94	1,82

MOUSER STOCK NO.	Mfr. Part No.	Fig.	Phoenix Type	Pos.	Dimensions: mm			Price Each		
					A	B	C	1	10	50
90° Socket-to-Pin Orientation										
651-1757242		C	MSTBA2.5/2-G-5.08	2	5.08	12.16	8.6	0,40	0,363	0,314
651-1757255		C	MSTBA2.5/3-G-5.08	3	5.08	17.24	8.6	0,59	0,561	0,479
651-1757268		C	MSTBA2.5/4-G-5.08	4	5.08	22.32	8.6	0,76	0,701	0,65
651-1757271		C	MSTBA2.5/5-G-5.08	5	5.08	27.40	8.6	1,02	0,932	0,80
651-1757284		C	MSTBA2.5/6-G-5.08	6	5.08	32.48	8.6	1,19	1,09	0,932
651-1757297		C	MSTBA2.5/7-G-5.08	7	5.08	37.56	8.6	1,37	1,32	1,12
651-1757307		C	MSTBA2.5/8-G-5.08	8	5.08	42.64	8.6	1,59	1,49	1,27
651-1757310		C	MSTBA2.5/9-G-5.08	9	5.08	47.72	8.6	1,77	1,68	1,44
651-1757323		C	MSTBA2.5/10-G-5.08	10	5.08	52.80	8.6	1,97	1,89	1,58
651-1757336		C	MSTBA2.5/11-G-5.08	11	5.08	57.88	8.6	2,20	2,05	1,75
651-1757349		C	MSTBA2.5/12-G-5.08	12	5.08	62.96	8.6	2,39	2,27	1,91

MOUSER STOCK NO.	Mfr. Part No.	Fig.	Phoenix Type	Pos.	Dimensions: mm			Price Each		
					A	B	C	1	10	50
180° Socket-to-Pin Orientation Without Side Panels										
651-1758018		D	MSTBV 2.5/2-G-5.08	2	5.08	10.16	12.0	0,40	0,363	0,314
651-1758021		D	MSTBV 2.5/3-G-5.08	3	5.08	15.24	12.0	0,62	0,569	0,485
651-1758034		D	MSTBV 2.5/4-G-5.08	4	5.08	20.32	12.0	0,76	0,65	0,61
651-1758047		D	MSTBV 2.5/5-G-5.08	5	5.08	25.40	12.0	1,04	0,957	0,815
651-1758050		D	MSTBV 2.5/6-G-5.08	6	5.08	30.48	12.0	1,14	0,97	0,91
651-1758063		D	MSTBV 2.5/7-G-5.08	7	5.08	35.56	12.0	1,33	1,13	1,06
651-1758076		D	MSTBV 2.5/8-G-5.08	8	5.08	40.64	12.0	1,50	1,28	1,20
651-1758089		D	MSTBV 2.5/9-G-5.08	9	5.08	45.72	12.0	1,80	1,66	1,36
651-1758092		D	MSTBV 2.5/10-G-5.08	10	5.08	50.80	12.0	1,89	1,61	1,51
651-1758115		D	MSTBV 2.5/12-G-5.08	12	5.08	60.96	12.0	2,28	1,94	1,82

MOUSER STOCK NO.	Mfr. Part No.	Fig.	Phoenix Type	Pos.	Dimensions: mm			Price Each		
					A	B	C	1	10	50
180° Socket-to-Pin Orientation										
651-1755736		E	MSTBVA2.5/2-G-5.08	2	5.08	12.16	12.0	0,38	0,363	0,314
651-1755749		E	MSTBVA2.5/3-G-5.08	3	5.08	17.24	12.0	0,62	0,561	0,479
651-1755752		E	MSTBVA2.5/4-G-5.08	4	5.08	22.32	12.0	0,76	0,701	0,65
651-1755765		E	MSTBVA2.5/5-G-5.08	5	5.08	27.40	12.0	1,03	0,949	0,807
651-1755778		E	MSTBVA2.5/6-G-5.08	6	5.08	32.48	12.0	1,20	1,11	0,932
651-1755781		E	MSTBVA2.5/7-G-5.08	7	5.08	37.56	12.0	1,39	1,31	1,11
651-1755794		E	MSTBVA2.5/8-G-5.08	8	5.08	42.64	12.0	1,63	1,50	1,28
651-1755804		E	MSTBVA2.5/9-G-5.08	9	5.08	47.72	12.0	1,77	1,70	1,44
651-1755817		E	MSTBVA2.5/10-G-5.08	10	5.08	52.80	12.0	1,98	1,85	1,58
651-1755820		E	MSTBVA2.5/11-G-5.08	11	5.08	57.88	12.0	2,09	1,78	1,67
651-1755833		E	MSTBVA2.5/12-G-5.08	12	5.08	62.96	12.0	2,39	2,23	1,91

Double Level, Through-Hole Solder Mounting

- RoHS Compliant per Phoenix documentation
- UL: 150V @ 15A & 300V @ 10A
- Color: Green



For quantities of 100 and up, call for quote.

MOUSER STOCK NO.	Mfr. Part No.	Fig.	Phoenix Type	Pos.	Dimensions: mm			Price Each		
					A	B	C	1	10	50
90° Socket-to-Pin Orientation Without Side Panels										
651-1762062		F	MDSTB 2.5/2-G-5.08	2	5.08	10.16	23.5	1,49	1,40	1,20
651-1762075		F	MDSTB 2.5/3-G-5.08	3	5.08	15.24	23.5	1,81	1,55	1,45

5.08MM PLUGS

Screw Clamp Wire Termination

- RoHS Compliant per Phoenix documentation
- UL: 150V @ 15A & 300V @ 10A, 30-12AWG
- Color: Green



For quantities of 100 and up, call for quote.

MOUSER STOCK NO.	Mfr. Part No.	Fig.	Phoenix Type	Pos.	Dimensions: mm			Price Each		
					A	B	C	1	10	50
180° Wire-to-Plug Orientation										
651-1757019		G	MSTB 2.5/2-ST-5.08	2	5.08	10.16	18.2	1,17	1,12	0,957
651-1757022		G	MSTB 2.5/3-ST-5.08	3	5.08	15.24	18.2	1,80	1,69	1,44
651-1757035		G	MSTB 2.5/4-ST-5.08	4	5.08	20.32	18.2	2,42	2,26	1,92
651-1757048		G	MSTB 2.5/5-ST-5.08	5	5.08	25.40	18.2	3,02	2,75	2,42
651-1757051		G	MSTB 2.5/6-ST-5.08	6	5.08	30.48	18.2	3,61	3,38	2,88
651-1757064		G	MSTB 2.5/7-ST-5.08	7	5.08	35.56	18.2	4,21	3,95	3,40
651-1757077		G	MSTB 2.5/8-ST-5.08	8	5.08	40.64	18.2	4,83	4,51	3,85
651-1757080		G	MSTB 2.5/9-ST-5.08	9	5.08	45.72	18.2	5,43	5,07	4,33
651-1757093		G	MSTB 2.5/10-ST-5.08	10	5.08	50.80	18.2	5,68	5,64	4,81
651-1757103		G	MSTB 2.5/11-ST-5.08	11	5.08	55.88	18.2	6,63	6,21	5,29
651-1757116		G	MSTB 2.5/12-ST-5.08	12	5.08	60.96	18.2	7,23	6,78	5,78

MOUSER STOCK NO.	Mfr. Part No.	Fig.	Phoenix Type	Pos.	Dimensions: mm			Price Each		
					A	B	C	1	10	50
135° Wire-to-Plug Orientation										
651-1826283		H	SMSTB 2.5/2-ST-5.08	2	5.08	10.16	25.5	1,72	1,54	1,35
651-1826296		H	SMSTB 2.5/3-ST-5.08	3	5.08	15.24	25.5	2,50	2,30	2,26
651-1826306		H	SMSTB 2.5/4-ST-5.08	4	5.08	20.32	25.5	3,43	3,17	2,70
651-1826319		H	SMSTB 2.5/5-ST-5.08	5	5.08	25.40	25.5	4,31	3,98	3,39
651-1826322		H	SMSTB 2.5/6-ST-5.08	6	5.08	30.48	25.5	5,15	4,75	4,05
651-1826335		H	SMSTB 2.5/7-ST-5.08	7	5.08	35.56	25.5	5,97	5,51	4,69
651-1826348		H	SMSTB 2.5/8-ST-5.08	8	5.08	40.64	25.5	6,82	6,14	5,36
651-1826351		H	SMSTB 2.5/9-ST-5.08	9	5.08	45.72	25.5	7,75	7,15	6,10
651-1826364		H	SMSTB 2.5/10-ST-5.08	10	5.08	50.80	25.5	8,61	7,95	6,78
651-1826377		H	SMSTB 2.5/11-ST-5.08	11	5.08	55.88	25.5	9,39	8,66	7,38
651-1826380		H	SMSTB 2.5/12-ST-5.08	12	5.08	60.96	25.5	9,11	8,28	7,63

MOUSER STOCK NO.	Mfr. Part No.	Fig.	Phoenix Type	Pos.	Dimensions: mm			Price Each		
					A	B	C	1	10	50
90° Wire-to-Plug Orientation										
651-1792249		I	M							