

PART NAME: KNOB

SCALE: 1:1

DATE: 8/12/13

DR. BY: JAM

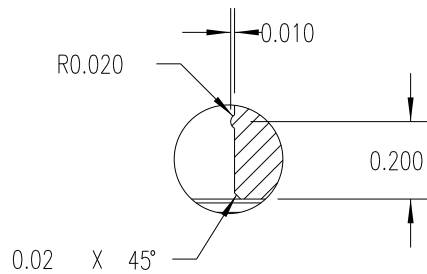
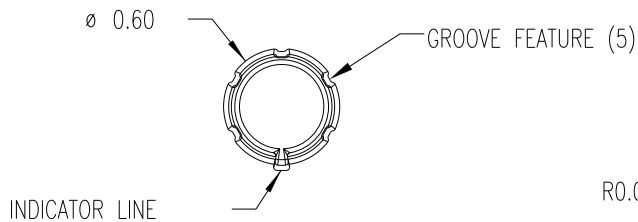
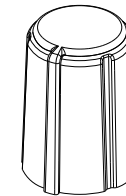


DESIGNERS & MANUFACTURERS  
OF KNOBS, HANDLENDS, CAPSULES &  
CUSTOM PLASTIC COMPONENTS

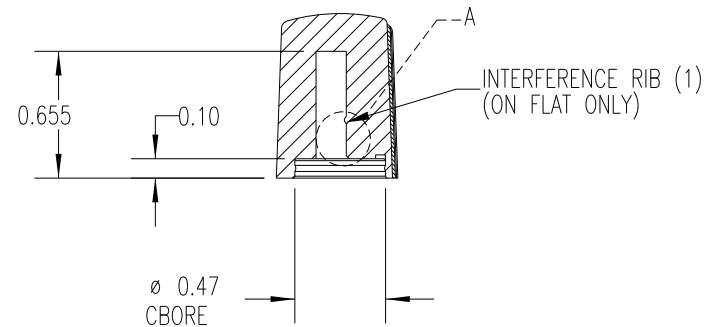
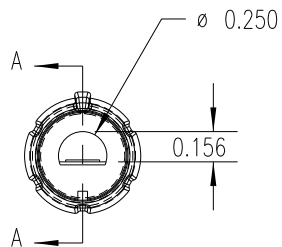
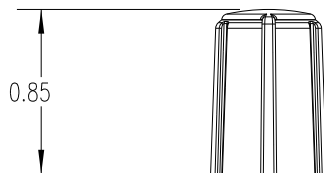
P/N 1226-K

THIS DRAWING IS THE PROPERTY OF DAVIES MOLDING COMPANY, IS SUBMITTED SOLELY AS A DESIGN OR ENGINEERING PROJECT.  
WE ACCEPT NO RESPONSIBILITY WHATSOEVER FOR THE PRACTICAL APPLICATION OF THE PIECES MADE TO THIS DESIGN.

MOLD #	1226
CAVITY	1226
CORE	1226
PIN	1226-K



DETAIL A  
SCALE 2 : 1



SECTION A-A

SUBSTRATE MATERIAL: POLYPROPYLENE (CLD)  
COLOR: WHITE (PC23083)

OVERMOLD MATERIAL: TPE (TPE3)  
COLOR: BLACK

TOLERANCES: UNLESS OTHERWISE SPECIFIED	DO NOT SCALE DRAWING				
DECIMALS: X.XXX $\pm .005$ X.XX $\pm .015$	MM: X.XX $\pm 0.15MM$ X.X $\pm 0.4MM$				
FRACTIONS $\pm 1/64$	ANG. $\pm 1^\circ$	CHANGES			

# Mouser Electronics

Authorized Distributor

Click to View Pricing, Inventory, Delivery & Lifecycle Information:

[Davies Molding:](#)

[1226-K](#)