

PART NAME: KNOB SCALE: 1:1 DATE: 7/3/44 DR. BY JC

DAVIES MOLDING COMPANY
CAROL STREAM, ILLINOIS 60188

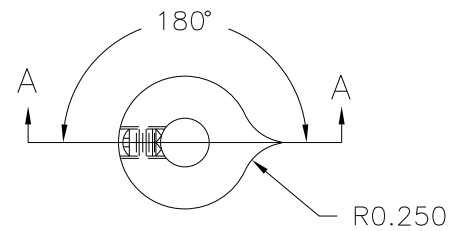
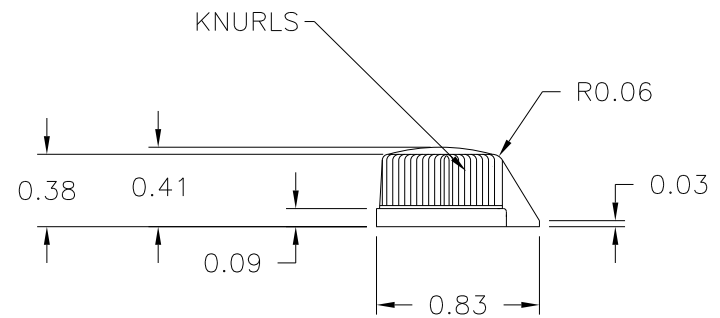
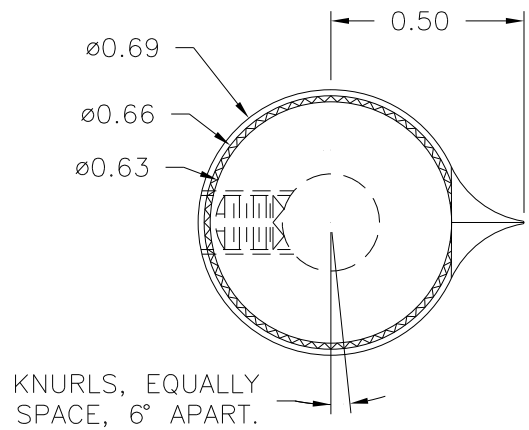
P/N 1400-W

THIS DRAWING IS THE PROPERTY OF DAVIES MOLDING COMPANY, IS SUBMITTED SOLELY AS A DESIGN OR ENGINEERING PROJECT. WE ACCEPT NO RESPONSIBILITY WHATSOEVER FOR THE PRACTICAL APPLICATION OF THE PIECES MADE TO THIS DESIGN.

BASE PART 1400-11

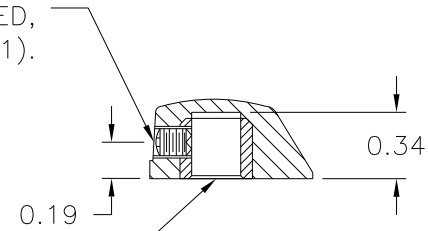
SET SCREW I0328

SCALE 2 : 1



SECTION A-A

USE #28 DRILL (0.140), #8-32 TAP, #8-32 X 3/16 LG. CUP POINTED, SLOTTED TYPE, SET SCREW I0328 (1).



$\phi 0.253/0.252$, INSERT I0115 OR I0454, H.H. BRASS.

MATERIAL: G.P. PHENOLIC (B11)
COLOR: BLACK

| | | | | | |
|---|----------------------------------|---|---------------------|----|----------|
| TOLERANCES: UNLESS OTHERWISE SPECIFIED | DO NOT SCALE DRAWING | - | UPDATED/HAD TOOLBOX | ST | 9/8/2000 |
| DECIMALS: X.XXX ± .005 X.XX ± .015 | MM: X.XX ± 0.15MM X.X ± 0.4MM | - | UPDATED DRAWING | HD | 2/6/97 |
| FRACTIONS ± 1/64 | ANG. ± 1° | - | CAD/REDRAWN | HD | 1/14/97 |
| CHANGES | | | | | |

Mouser Electronics

Authorized Distributor

Click to View Pricing, Inventory, Delivery & Lifecycle Information:

[Davies Molding:](#)

[1400-W](#)