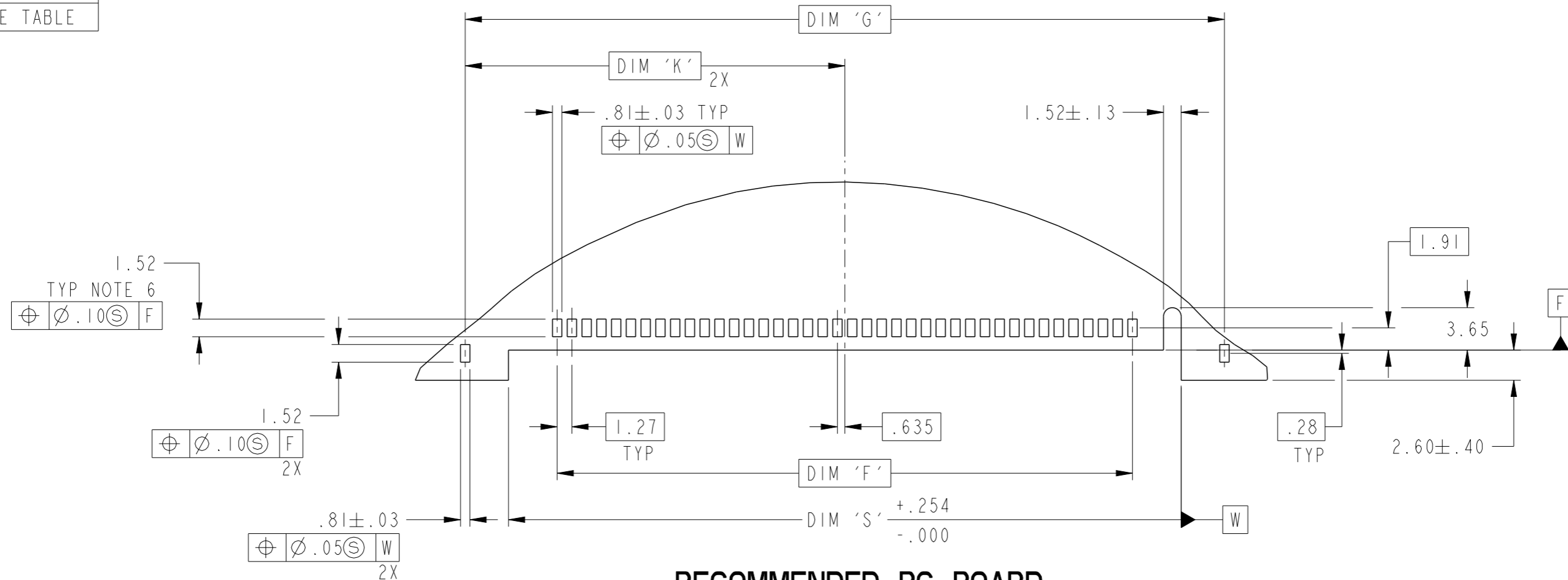


Copyright FCI.

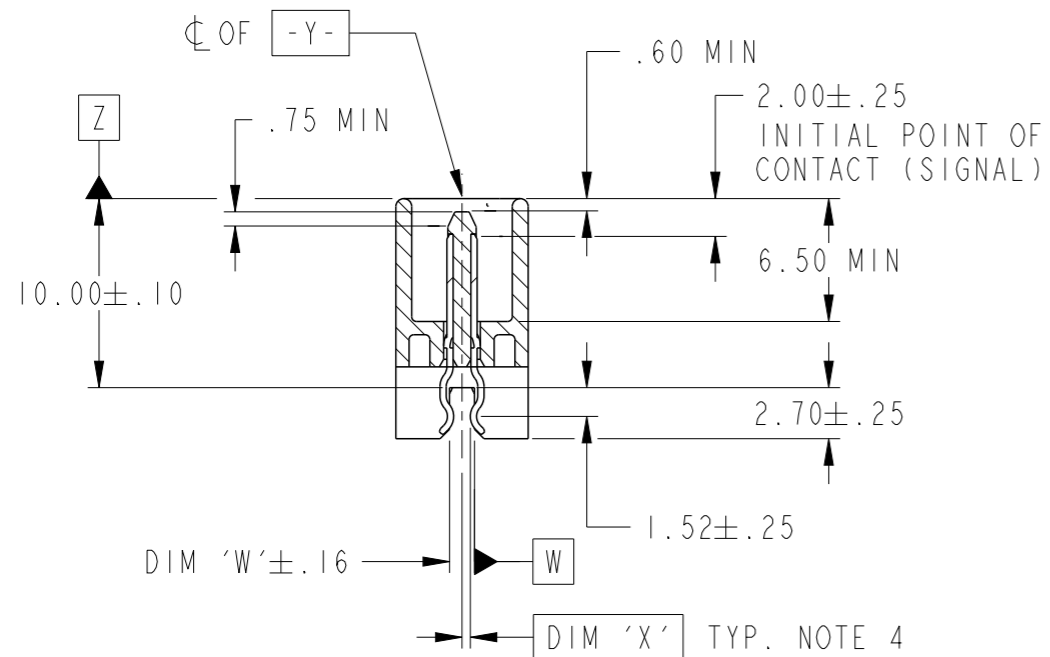
**CONFIDENTIAL**

|                                       |                                     |             |               |                      |                |                        |           |                |       |     |
|---------------------------------------|-------------------------------------|-------------|---------------|----------------------|----------------|------------------------|-----------|----------------|-------|-----|
| spec ref                              | -                                   | dr          | Louis Ng      | 2011/05/11           | projection     | MM                     | size      | A3             | scale | 5:2 |
| tolerance std                         | ISO 406<br>ISO 1101                 | eng         | Guat-Lian Loo | 2012/10/10           |                |                        | ecn no    | ELX-S-005680-1 |       |     |
| TOLERANCES UNLESS OTHERWISE SPECIFIED |                                     | chr         | -             | -                    |                |                        | rel level | Released       |       |     |
| surface                               | ✓                                   | appr        | Chen-Hong Tan | 2012/10/10           | product family | SCA-2                  | rel level | Released       |       |     |
| linear                                | 0.X ±.3<br>0.XX ±.13<br>0.XXX ±.051 |             |               | SCA-2 PLUG CONNECTOR |                | dwg no                 | 71292     |                | rev   | U   |
| angular                               | 0° ±2°                              | www.fci.com |               | cat. no.             | -              | Product - Customer Drw |           | sheet 1 of 4   |       |     |

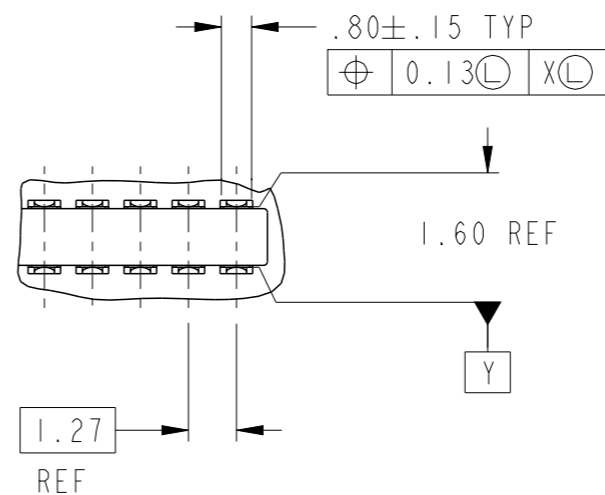
PRODUCT NO.  
SEE TABLE



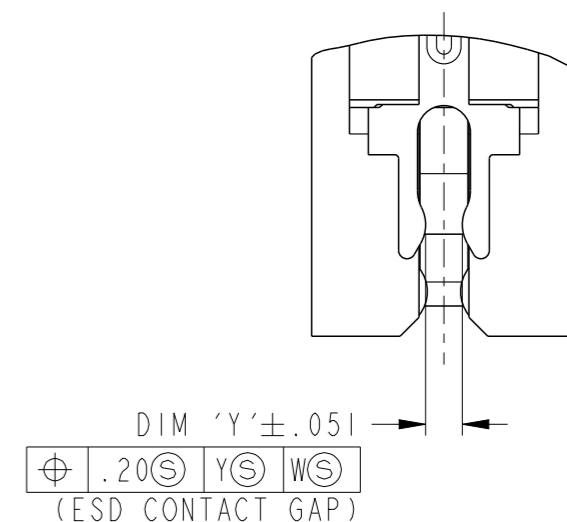
**RECOMMENDED PC BOARD MOUNTING DIMENSIONS**



SECTION X-X  
SCALE 5:2



DETAIL A  
SCALE 5:1



DETAIL B  
SCALE 5:1

**CONFIDENTIAL**

|                                       |                     |         |               |            |  |    |        |                |           |                        |               |
|---------------------------------------|---------------------|---------|---------------|------------|--|----|--------|----------------|-----------|------------------------|---------------|
| spec ref                              | -                   | dr      | Louis Ng      | 2011/05/11 | projection                             | MM | size   | A3             | scale     | 5:2                    |               |
| tolerance std                         | ISO 406<br>ISO 1101 | eng     | Guat-Lian Loo | 2012/10/10 |  |    | ecn no | ELX-S-005680-1 | rel level | Released               |               |
| TOLERANCES UNLESS OTHERWISE SPECIFIED |                     | chr     | -             | appr       |  |    |        |                |           |                        | Chen-Hong Tan |
| surface                               | ISO 1302            | linear  | 0.X           | ±.3        |  |    |        | dwg no         | 71292     | rev                    | U             |
|                                       |                     | angular | 0°            | ±2°        | SCA-2 PLUG CONNECTOR<br>STRADDLE MOUNT |    |        | cat. no.       | -         | Product - Customer Drw | sheet 2 of 4  |

| PRODUCT NO. | NO. POS. | RECOMMENDED PCB THICKNESS | DIM A REF | 2     |       |       |       |       |       |       |       |       |        | 3      |        |       | 4     |       |       |       | PLATING |       |         |
|-------------|----------|---------------------------|-----------|-------|-------|-------|-------|-------|-------|-------|-------|-------|--------|--------|--------|-------|-------|-------|-------|-------|---------|-------|---------|
|             |          |                           |           | DIM B | DIM C | DIM D | DIM E | DIM F | DIM G | DIM H | DIM J | DIM K | POS. N | POS. P | POS. R | DIM S | DIM T | DIM U | DIM V | DIM W |         | DIM X | DIM Y   |
| 71292-001   | 80       | 1.19                      | 62.15     | 51.17 | 55.27 | 57.87 | 63.30 | 49.53 | 65.36 | 66.50 | 66.40 | 32.68 | 41     | 40     | 80     | 57.91 | 57.82 | 28.88 | 1.32  | 1.30  | 0.44    | 0.97  | NOTE 2  |
| -001S       |          |                           |           |       |       |       |       |       |       |       |       |       |        |        |        |       |       |       |       |       |         |       | -101S   |
| 71292-002   | 40       | 1.19                      | 36.75     | 25.77 | 29.87 | 32.47 | 37.90 | 24.13 | 39.95 | 41.10 | 41.00 | 19.98 | 21     | 20     | 40     | 32.52 | 32.41 | 16.20 | 1.32  | 1.30  | 0.44    | 0.97  | NOTE 2  |
| -002S       |          |                           |           |       |       |       |       |       |       |       |       |       |        |        |        |       |       |       |       |       |         |       | -102S   |
| 71292-003S  | 80       | 1.57                      | 62.15     | 51.17 | 55.27 | 57.87 | 63.30 | 49.53 | 65.36 | 66.50 | 66.40 | 32.68 | 41     | 40     | 80     | 57.91 | 57.82 | 28.88 | 1.83  | 1.83  | 0.72    | 1.52  | NOTE 2  |
| -103S       |          |                           |           |       |       |       |       |       |       |       |       |       |        |        |        |       |       |       |       |       |         |       | NOTE 10 |
| 71292-004S  | 40       | 1.57                      | 36.75     | 25.77 | 29.87 | 32.47 | 37.90 | 24.13 | 39.95 | 41.10 | 41.00 | 19.98 | 21     | 20     | 40     | 32.52 | 32.41 | 16.20 | 1.83  | 1.83  | 0.72    | 1.52  | NOTE 2  |
| -104S       |          |                           |           |       |       |       |       |       |       |       |       |       |        |        |        |       |       |       |       |       |         |       | NOTE 10 |



NOTES:

- HOUSING : LCP, UL94V-0 RATED, COLOR: BLACK  
CONTACTS: PHOSPHOR-BRONZE  
ESD CONTACT: PHOSPHOR-BRONZE
- PLATING:  
CONTACTS: 0.76µm (30µ") MIN GXT IN CONTACT AREA,  
2.54µm (100µ") MIN TIN-LEAD ON P.C. BOARD LEG,  
1.27µm (50µ") MIN NICKEL UNDERPLATE OVER ENTIRE TERMINAL.  
ESD CONTACT: 2.54µm (100µ") MIN TIN-LEAD  
PLATING W/1.27µm (50µ") NICKEL UNDERPLATE.
- MEASURED AT THE FLOOR OF THE CAVITY MEASURED 6mm FROM DATUM -Z-
- APPLIES TO ALL SURFACES OF CONTACT TAILS.
- MAXIMUM BOARD THICKNESS THAT CONNECTOR CAN ACCOMODATE IS DEFINED BY DIM 'V'.
- THESE DIMENSIONS RESULT IN THE CONTACT RESTING IN CENTER OF PAD WIDTH. THESE DIMENSIONS ARE SUBJECT TO CHANGE DEPENDING ON CUSTOMER'S MANUFACTURING PREFERENCES IN PROCESS SOLDER PLACEMENT AND REFLOW.
- DATE CODE IN THIS AREA.
- MEASUREMENT MADE AT CENTER OF PART, MAY BE AS LOW AS 6.55. DESIGN TO BE MADE TO ACHIEVE THE NOMINAL DIMENSION ACROSS THE ENTIRE PART.
- DISTANCE MEASURED ACROSS CONTACT MATING SURFACES ALONG EFFECTIVE MATING AREA AND CONTACT MUST BE ABOVE PLASTIC ALONG EFFECTIVE MATING AREA.
- PLATING:  
CONTACTS: 0.76µm (30µ") MIN GOLD IN CONTACT AREA,  
2.54µm (100µ") MIN TIN-LEAD ON P.C. BOARD LEG,  
1.27µm (50µ") MIN NICKEL UNDERPLATE OVER ENTIRE TERMINAL.  
ESD CONTACT: 2.54µm (100µ") MIN TIN-LEAD  
PLATING W/1.27µm (50µ") NICKEL UNDERPLATE.
- PART NUMBERS ENDING IN -0xx OR -0xxS OR -1xxS ARE MANUFACTURED WITH BRIGHT FINISH TIN-LEAD PLATING IN P.C. BOARD LEG AREA.

**CONFIDENTIAL**

|                                       |                     |       |               |            |                      |                        |              |                |           |             |
|---------------------------------------|---------------------|-------|---------------|------------|----------------------|------------------------|--------------|----------------|-----------|-------------|
| spec ref                              | -                   | dr    | Louis Ng      | 2011/05/11 | projection           | MM                     | size         | A3             | scale     | 5:2         |
| tolerance std                         | ISO 406<br>ISO 1101 | eng   | Guat-Lian Loo | 2012/10/10 |                      |                        | ecn no       | ELX-S-005680-1 | rel level | Released    |
| TOLERANCES UNLESS OTHERWISE SPECIFIED |                     | chr   | -             | -          |                      |                        |              |                |           |             |
| surface                               | linear              | 0.X   | ±.3           |            | SCA-2 PLUG CONNECTOR | dwg no                 | 71292        | rev            | U         | www.fci.com |
|                                       |                     | 0.XX  | ±.13          |            |                      |                        |              |                |           |             |
|                                       |                     | 0.XXX | ±.051         |            |                      |                        |              |                |           |             |
| ISO 1302                              | angular             | 0°    | ±2°           | cat. no.   | -                    | Product - Customer Drw | sheet 3 of 4 |                |           |             |



Copyright FCI.

| PRODUCT NO. | NO. POS. | RECOMMENDED PCB THICKNESS | DIM A REF | DIM B | DIM C | DIM D | DIM E | DIM F | DIM G | DIM H | DIM J | DIM K | POS. N | POS. P | POS. R | DIM S | DIM T | DIM U | DIM V | DIM W | DIM X | DIM Y | PLATING |
|-------------|----------|---------------------------|-----------|-------|-------|-------|-------|-------|-------|-------|-------|-------|--------|--------|--------|-------|-------|-------|-------|-------|-------|-------|---------|
| 71292-001LF | 80       | 1.19                      | 62.15     | 51.17 | 55.27 | 57.87 | 63.30 | 49.53 | 65.36 | 66.50 | 66.40 | 32.68 | 41     | 40     | 80     | 57.91 | 57.82 | 28.88 | 1.32  | 1.30  | 0.44  | 0.97  | NOTE 16 |
| -201LF      |          |                           |           |       |       |       |       |       |       |       |       |       |        |        |        |       |       |       |       |       |       |       | NOTE 12 |
| 71292-002LF | 40       | 1.19                      | 36.75     | 25.77 | 29.87 | 32.47 | 37.90 | 24.13 | 39.95 | 41.10 | 41.00 | 19.98 | 21     | 20     | 40     | 32.52 | 32.41 | 16.20 | 1.32  | 1.30  | 0.44  | 0.97  | NOTE 16 |
| -202LF      |          |                           |           |       |       |       |       |       |       |       |       |       |        |        |        |       |       |       |       |       |       |       | NOTE 12 |
| 71292-003LF | 80       | 1.57                      | 62.15     | 51.17 | 55.27 | 57.87 | 63.30 | 49.53 | 65.36 | 66.50 | 66.40 | 32.68 | 41     | 40     | 80     | 57.91 | 57.82 | 28.88 | 1.83  | 1.83  | 0.72  | 1.52  | NOTE 16 |
| -203LF      |          |                           |           |       |       |       |       |       |       |       |       |       |        |        |        |       |       |       |       |       |       |       | NOTE 12 |
| 71292-004LF | 40       | 1.57                      | 36.75     | 25.77 | 29.87 | 32.47 | 37.90 | 24.13 | 39.95 | 41.10 | 41.00 | 19.98 | 21     | 20     | 40     | 32.52 | 32.41 | 16.20 | 1.83  | 1.83  | 0.72  | 1.52  | NOTE 16 |
| -204LF      |          |                           |           |       |       |       |       |       |       |       |       |       |        |        |        |       |       |       |       |       |       |       | NOTE 12 |



NOTES:

- 12. PLATING: CONTACT: 0.76µm (30µ") MIN GOLD IN CONTACT AREA, 2.54µm (100µ") - 5.08µm (200µ") TIN (LEAD-FREE) ON P.C. BOARD LEG, 1.27µm (50µ") MIN NICKEL UNDERPLATE OVER ENTIRE TERMINAL. ESD CONTACT: 2.54µm (100µ") - 5.08µm (200µ") TIN PLATING (LEAD-FREE) WITH 1.27µm (50µ") NICKEL UNDERPLATE.
- ⑬. THE HOUSING WILL WITHSTAND EXPOSURE TO 260°C PEAK TEMPERATURE FOR 10 SECONDS IN A CONVECTION, INFRA-RED OR VAPOR PHASE REFLOW OVEN.
- ⑭. THIS PRODUCT MEETS EUROPEAN UNION DIRECTIVES AND OTHER COUNTRY REGULATIONS AS DESCRIBED IN GS-22-008.
- 15. PART NUMBERS ENDING IN "LF" MEANS FOR NOTE 14 LEAD FREE IDENTIFICATION. P/N XXXXX-2XXLF IS EQUIVALENT TO PREVIOUS P/N XXXXX-2XX.
- 16. PLATING: CONTACT: 0.76µm (30µ") MIN GXT IN CONTACT AREA, 2.54µm (100µ") - 5.08µm (200µ") TIN (LEAD-FREE) ON P.C. BOARD LEG, 1.27µm (50µ") MIN NICKEL UNDERPLATE OVER ENTIRE TERMINAL. ESD CONTACT: 2.54µm (100µ") - 5.08µm (200µ") TIN PLATING (LEAD-FREE) WITH 1.27µm (50µ") NICKEL UNDERPLATE.
- 17. A SYMBOL WILL BE NEXT TO ANY DIMENSION, VIEW OR NOTE WHICH HAS BEEN MODIFIED WITH THE CURRENT DRAWING REVISION.

**CONFIDENTIAL**

|               |                                       |         |                                     |             |                      |     |                |                |           |                        |              |
|---------------|---------------------------------------|---------|-------------------------------------|-------------|----------------------|-----|----------------|----------------|-----------|------------------------|--------------|
| spec ref      | -                                     | dr      | Louis Ng                            | 2011/05/11  | projection           | MM  | size           | A3             | scale     | 5:2                    |              |
| tolerance std | ISO 406<br>ISO 1101                   | eng     | Guat-Lian Loo                       | 2012/10/10  |                      | ← → | ecn no         | ELX-S-005680-1 |           |                        |              |
|               | TOLERANCES UNLESS OTHERWISE SPECIFIED | chr     | -                                   | -           |                      |     | product family | SCA-2          | rel level | Released               |              |
| surface       | ✓                                     | appr    | Chen-Hong Tan                       | 2012/10/10  | SCA-2 PLUG CONNECTOR |     | dwg no         | 71292          |           | rev                    | U            |
|               | ISO 1302                              | linear  | 0.X ±.3<br>0.XX ±.13<br>0.XXX ±.051 |             | STRADDLE MOUNT       |     | cat. no.       | -              |           | Product - Customer Drw | sheet 4 of 4 |
|               |                                       | angular | 0° ±2°                              | www.fci.com |                      |     |                |                |           |                        |              |



Copyright FCI.

# Mouser Electronics

Authorized Distributor

Click to View Pricing, Inventory, Delivery & Lifecycle Information:

[FCI / Amphenol:](#)

[71292-203LF](#) [71292-002LF](#) [71292-202LF](#) [71292-204LF](#)