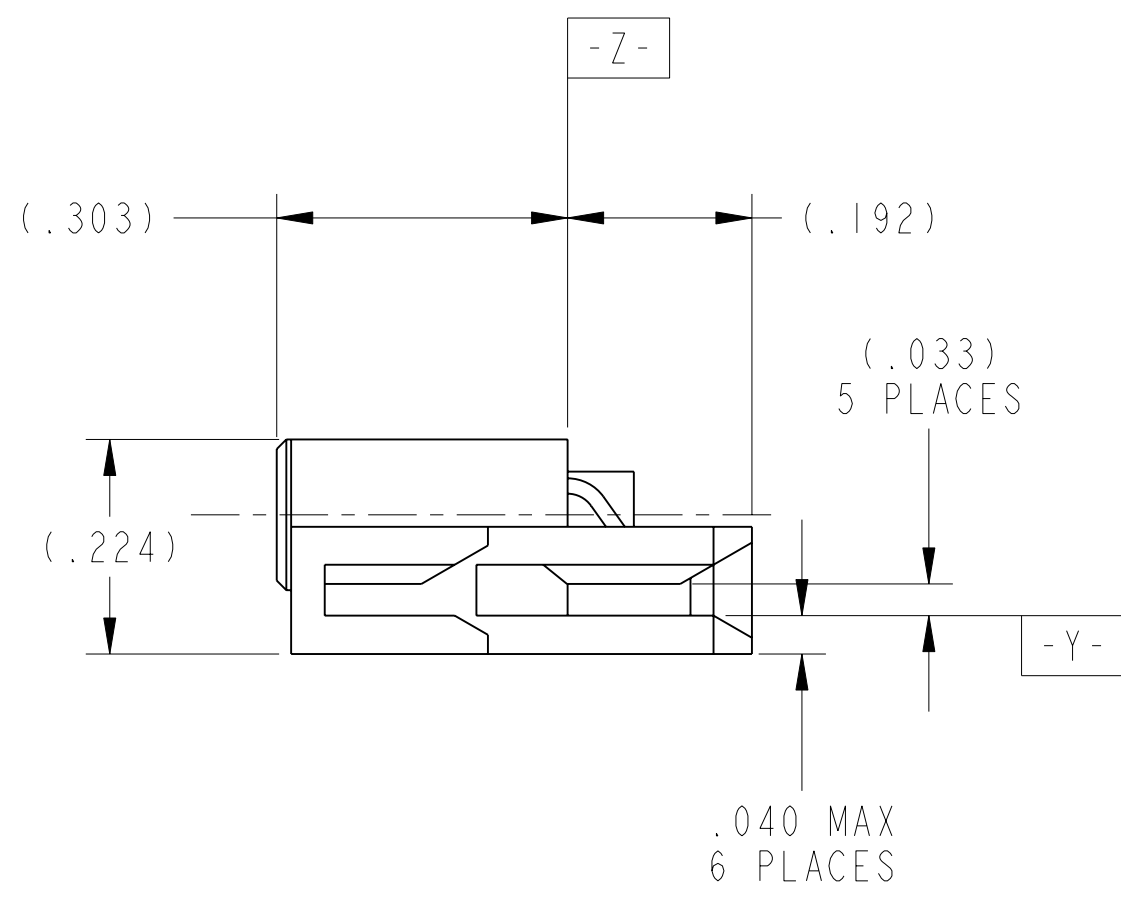
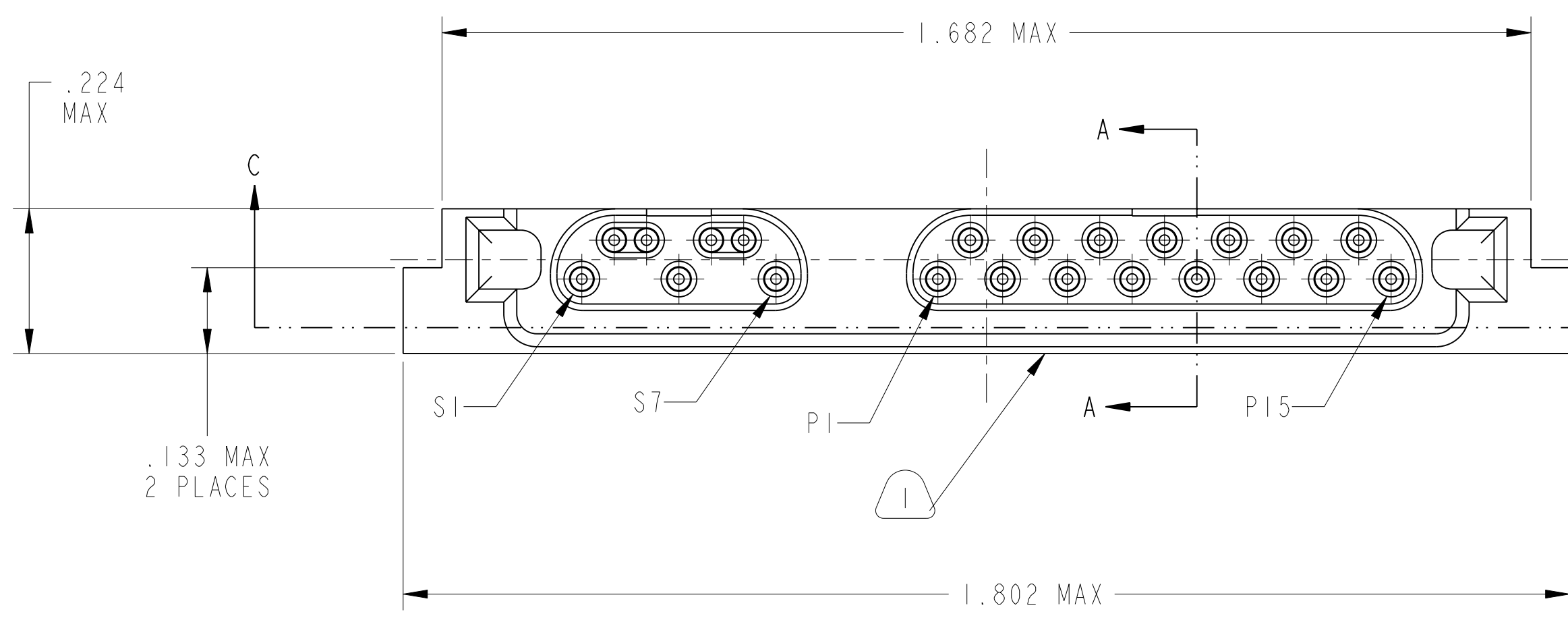
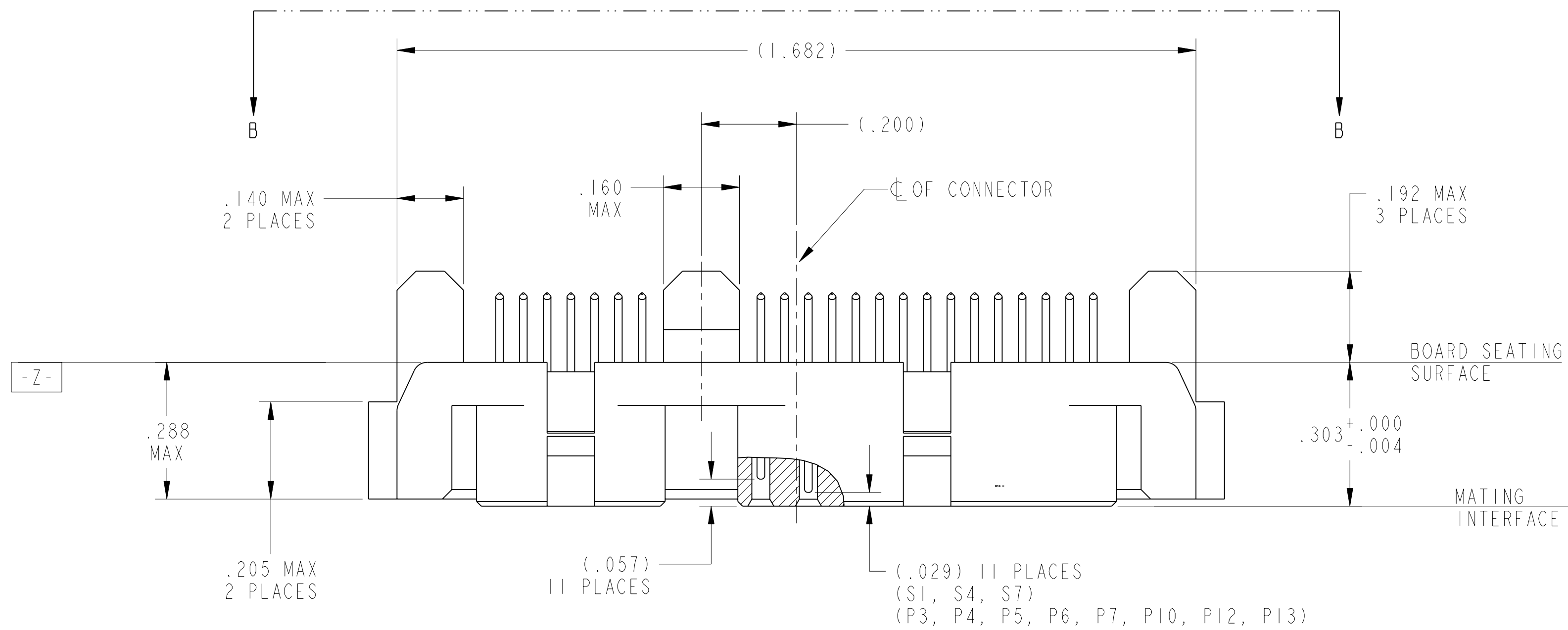


| | | | | | |
|-------------|--------------------|--------------|--|---------------------------|--|
| REV. A | | SHEET 1 OF 5 | | DOCUMENT NO. RS2-PRCE22-X | |
| REVISIONS M | | | | | |
| LTR | DESCRIPTION | | | DATE | |
| A | PRODUCTION RELEASE | | | 3/31/16 | |



SEE SHEET 3

NOTES:
 THE USE OF THIS DOCUMENT IS UNLIMITED. HOWEVER, DOCUMENTS REFERENCED HEREON MAY CONTAIN LIMITED RIGHTS DATA.

SCALE 5.000

| | |
|---------------|--------------------------------------|
| N/A | PRO/ENGINEER INFORMATION |
| N/A | Pro/e Model Used: RS2-PRCE22-X.ASSEM |
| NEXT ASSEMBLY | Drawing Name: RS2-PRCE22-X |

| | | | | | | | | | |
|--|--|-------------------------------------|--|--------------------------------|-----|----------------------|---|--------------------|------------------------------|
| UNLESS OTHERWISE SPECIFIED | | SPECIFICATIONS | | POS | QTY | PART NUMBER | DESCRIPTION | NOTE | |
| LINEAR DIMENSIONS ARE IN INCHES TOLERANCES: .XXXX = ±.0005 ANGLES= ±2° .XXX = ±.010 .XX = ±.03 .X = ±.1 | | MATERIAL SPEC. NA | | APPROVALS | | DATE | PARTS LIST | | |
| DIM. & TOL. PER ASME Y14.5M; DRM PER MIL-DTL-31000; OTHER Amphenol Sids. PER 9-3800 | | PROCESS SPEC. 9-3856-5 9-3895 | | PREPARED BY R. CHAPMAN | | 28-Apr-15 | AMPHENOL CORPORATION 40-60 DELAWARE AVENUE SIDNEY, N.Y. 13839 | | |
| LEGENDS: =FLAG NOTE CALL OUT REFERENCE ONLY | | THIRD ANGLE PROJECTION | | ENGINEER IN CHARGE J. PAUL | | | CONNECTOR, ELECTRICAL, PLUG, R-SATA, 22 POSITION (CARD EDGE SURFACE MT TERMINATION) | | |
| | | | | DESIGN MANAGER R. SELFRIDGE | | | SIZE C | CAGE CODE 77820 | DOCUMENT NO. RS2-PRCE22-X |
| | | | | DESIGN ACTIVITY GROUP BLP | | SCALE: 2.0 REF: NONE | | SHEET 1 OF 5 | |

RS2-PRCE22-X SHEET 1 OF 5 REV. A

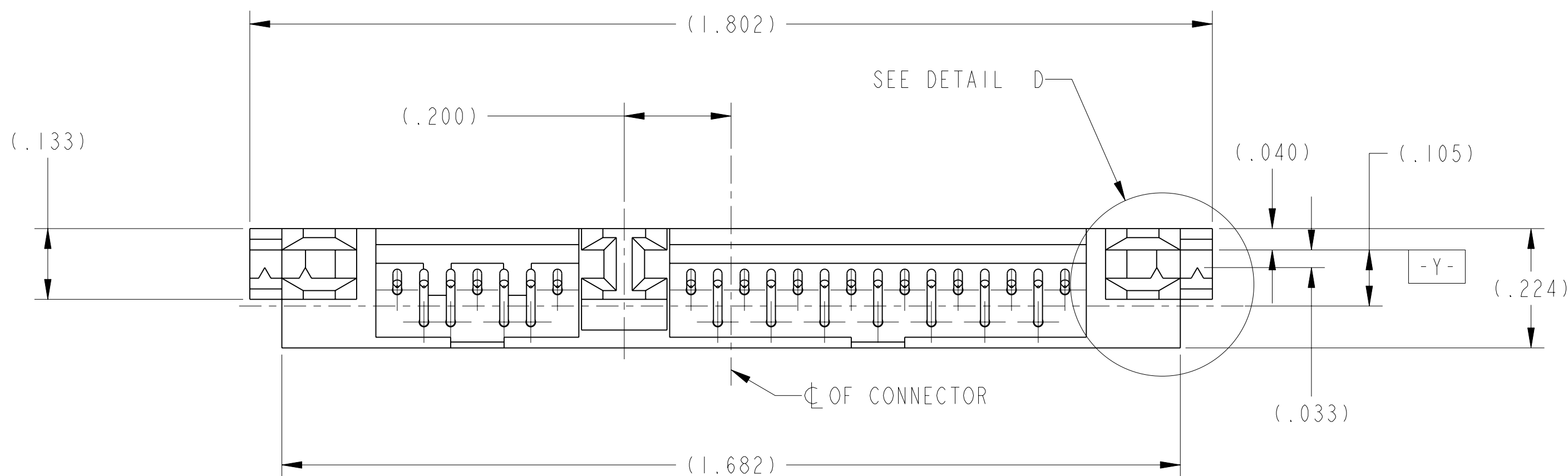
RS2-PRCE22-X SHEET 1 OF 5 REV. A

FORMAT: C:\U.L-REV.B

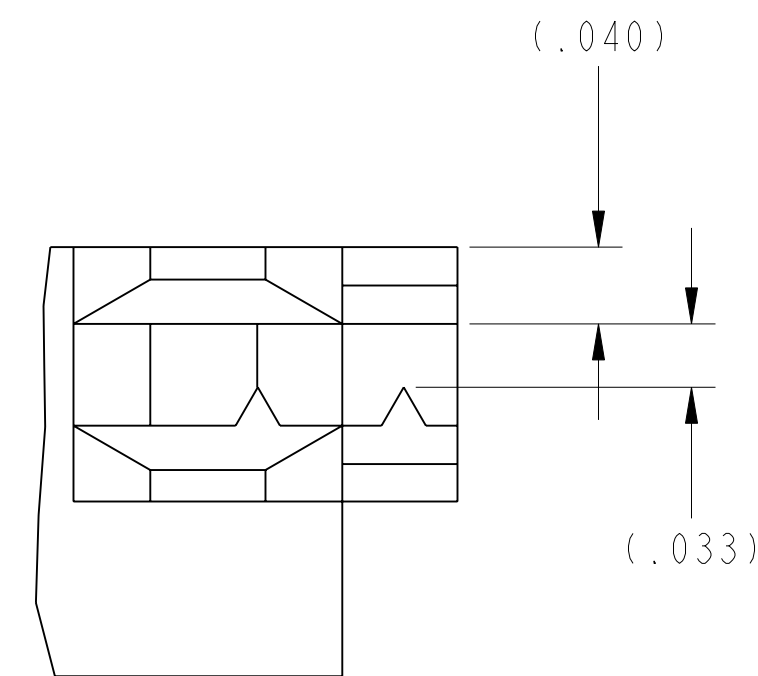
RS2-PRCE22-X

SHEET 2 OF 5

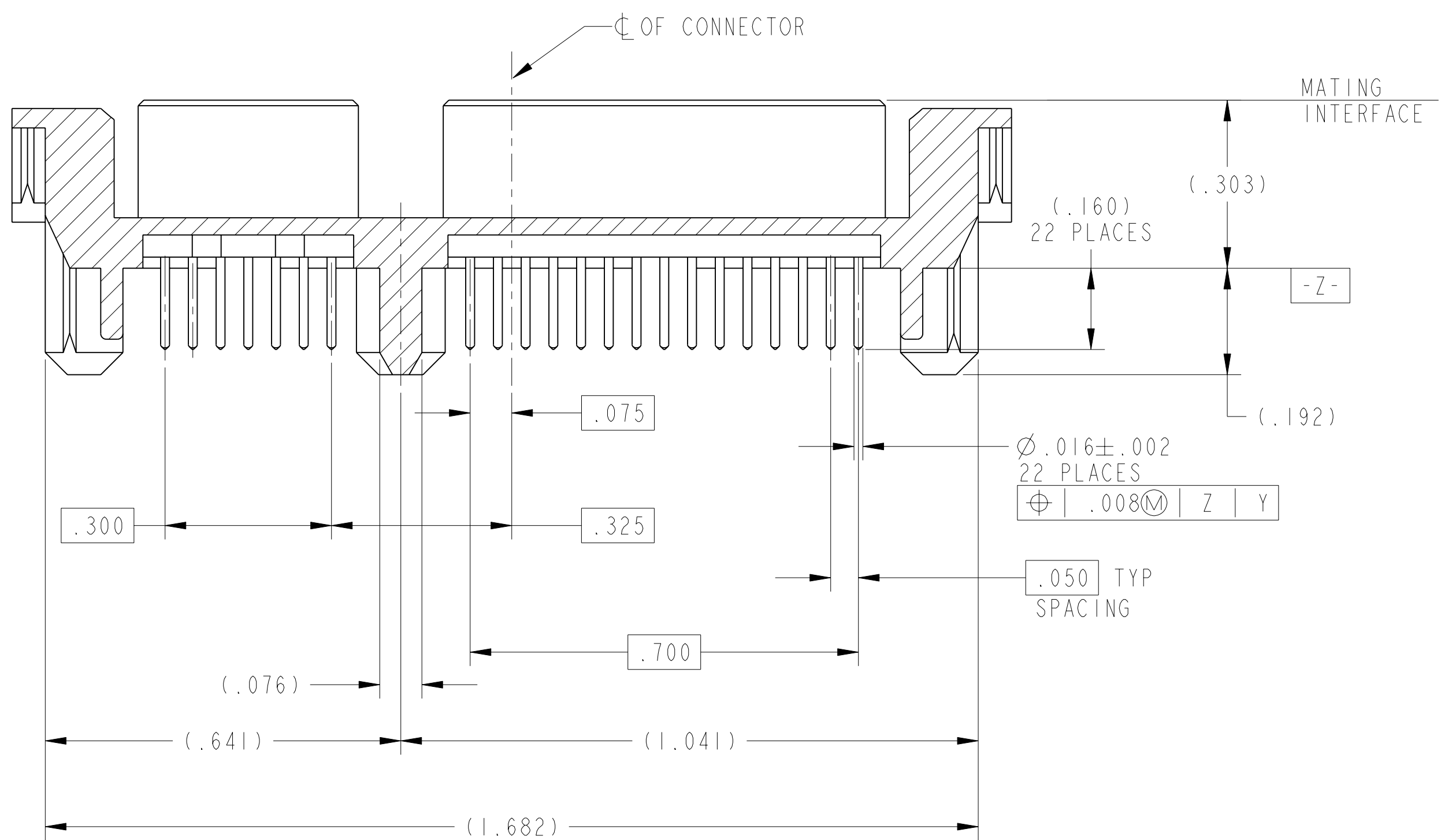
REV. A



VIEW AT B



DETAIL D
SCALE 10.000



SECTION C-C

THE USE OF THIS DOCUMENT IS UNLIMITED. HOWEVER, DOCUMENTS REFERENCED HEREON MAY CONTAIN LIMITED RIGHTS DATA.

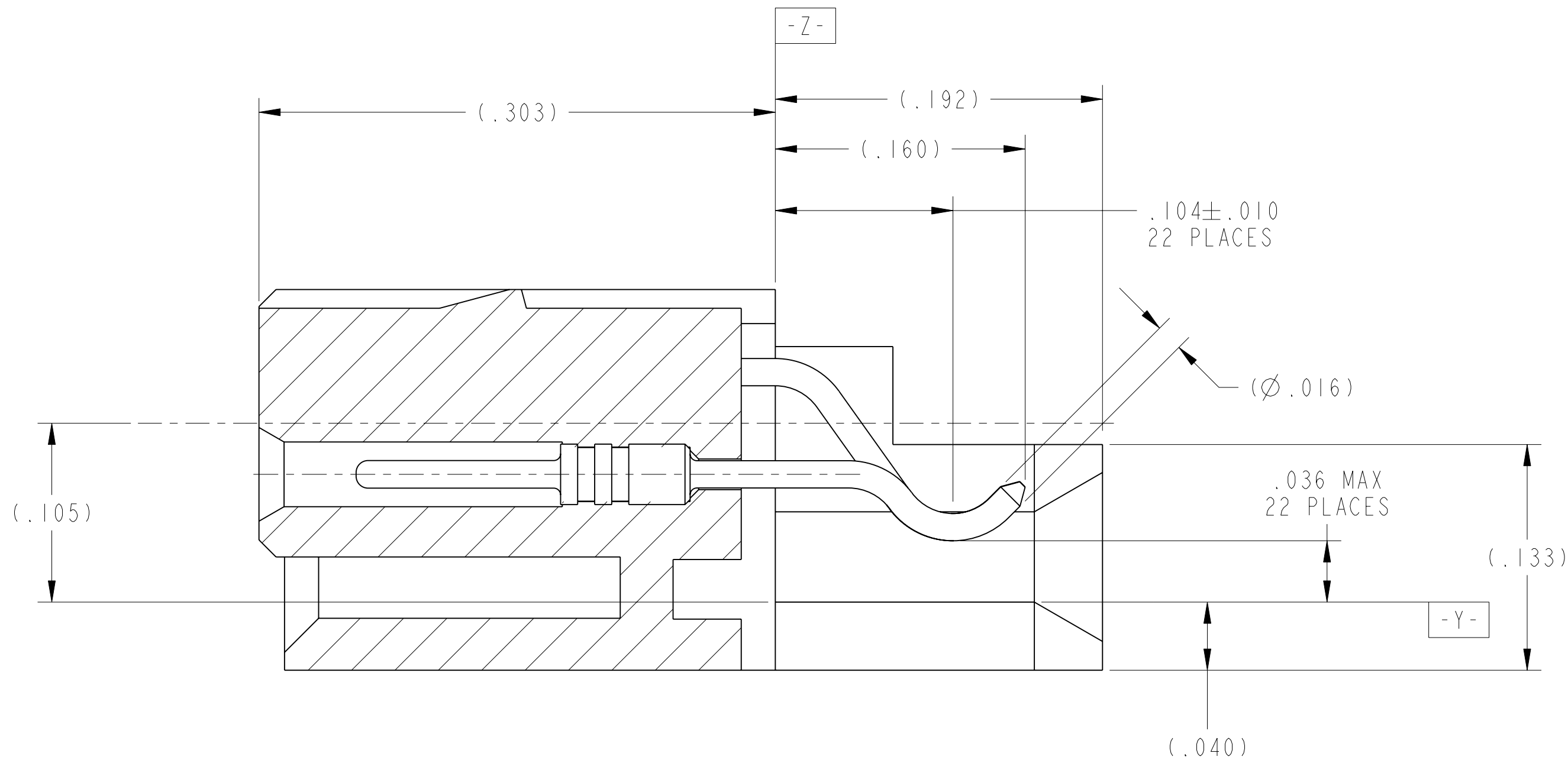
| | | | |
|------------|-----------------|---------------------------|--------|
| SIZE C | CAGE CODE 77820 | DOCUMENT NO. RS2-PRCE22-X | REV. A |
| SCALE: 2.0 | REF: NONE | SHEET 2 OF 5 | |

PART NUMBER
RS2-PRCE22-()

TERMINATION FINISH
 SEE SUFFIX TABLE

TERMINATION FINISH SUFFIX TABLE

| SUFFIX | DESCRIPTION |
|--------|---|
| 2 | GOLD PLATE, .000050 MIN. THICK GOLD OVER .000050 MIN. THICK NICKEL. |
| 6 | TIN-LEAD SOLDER DIPPED OVER SUFFIX 1 .0010 MIN THICK TIN-LEAD (Sn63%) |



SECTION A-A
 SCALE 15.000

3. SEE SHEET 4 FOR SUGGESTED CIRCUIT BOARD LAYOUT.
2. FOR MATING RECEPTACLE CONNECTOR SEE DRAWING RS2-RST22-() AND OTHERS.
1. INK STAMP IN CONTRASTING COLOR "AMPHENOL" 77820 PART NUMBER AND DATE CODE ON INDICATED SURFACE (MAY BE ON BOTH SIDES) PER 9-3856-5. DATE CODE PER 9-3895. CHARACTERS TO BE .062±.020 HIGH. ADDITIONAL INFORMATION MAY BE REQUESTED ON PURCHASE ORDER.
 EXAMPLE: AMPHENOL 77820 RS2-PRCE22-1 1515

THE USE OF THIS DOCUMENT IS UNLIMITED.
 HOWEVER, DOCUMENTS REFERENCED HEREON
 MAY CONTAIN LIMITED RIGHTS DATA.

| | | | |
|------------------|---------------------------|-------------------------------------|------------------|
| SIZE C | CAGE CODE 77820 | DOCUMENT NO. RS2-PRCE22-X | REV. A |
| SCALE: 2.0 | REF: NONE | SHEET 3 OF 5 | |

RS2-PRCE22-X

SHEET 3 OF 5

REV. A

C

B

A

FORMAT: C-ULE Rev. B

D

C

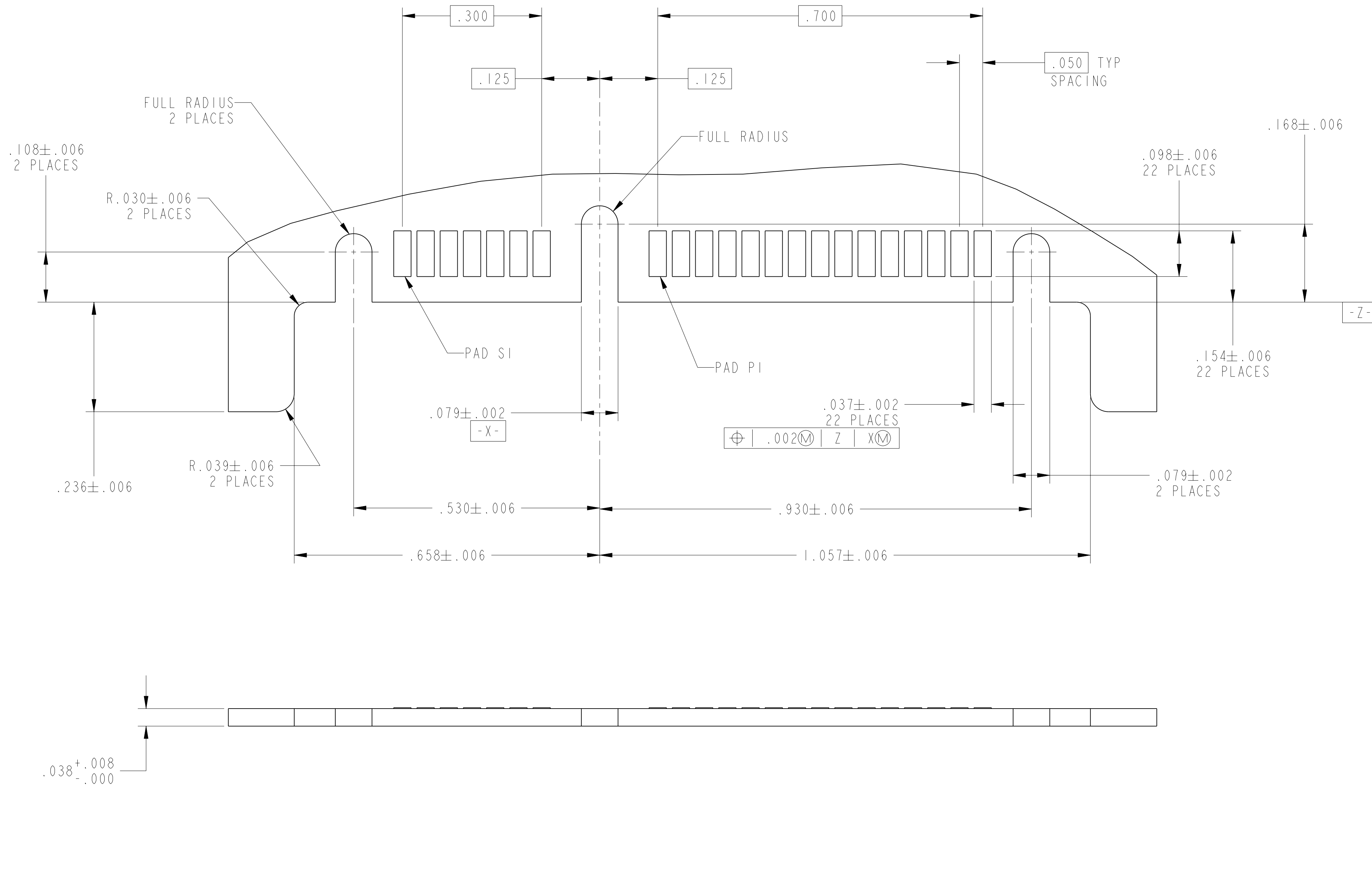
REV. A

SHEET 3 OF 5

RS2-PRCE22-X

A

DOCUMENT NO. RS2-PRCE22-X
 SHEET 4 OF 5
 REV. A
 C
 B
 A
 FORMAT: C-U-L-E, REV. B



D
 C
 B
 A
 REV. A
 SHEET 4 OF 5
 DOCUMENT NO. RS2-PRCE22-X

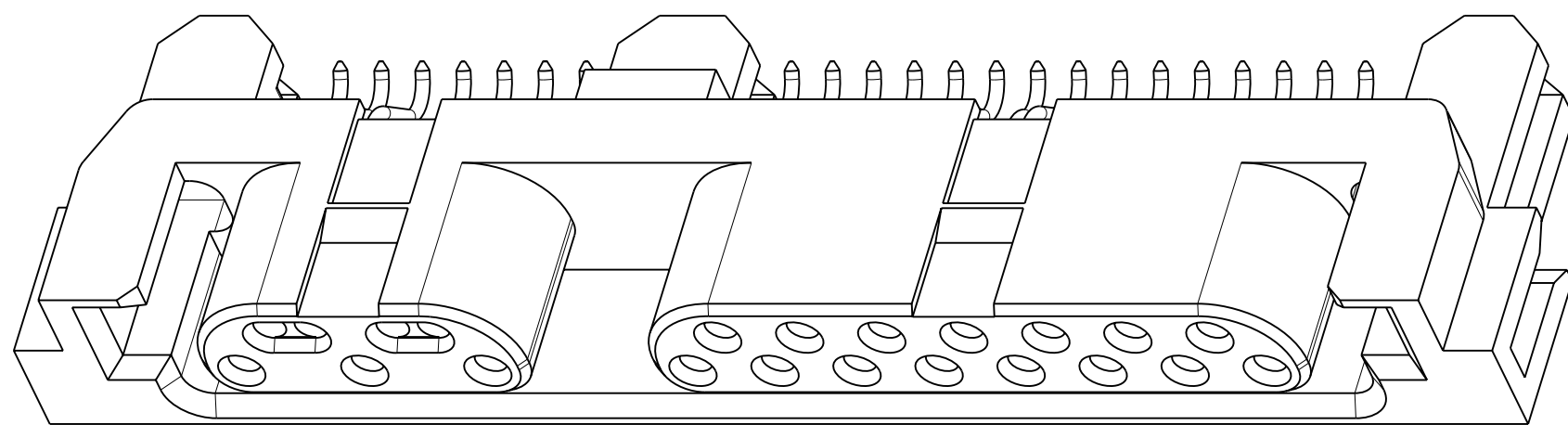
THE USE OF THIS DOCUMENT IS UNLIMITED.
 HOWEVER, DOCUMENTS REFERENCED HEREON
 MAY CONTAIN LIMITED RIGHTS DATA.

SUGGESTED CIRCUIT BOARD LAYOUT

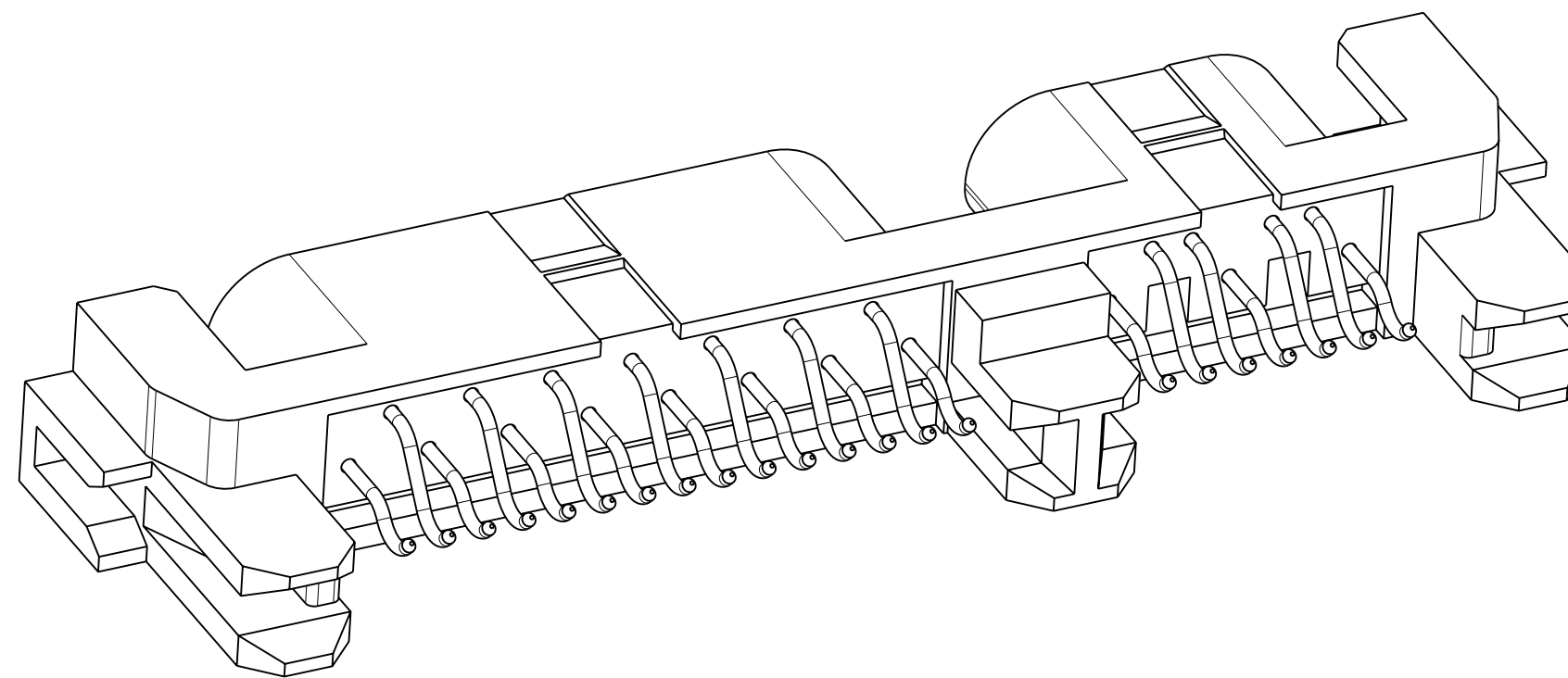
SCALE 7.000

| | | | |
|------------------|---------------------------|-------------------------------------|------------------|
| SIZE C | CAGE CODE 77820 | DOCUMENT NO. RS2-PRCE22-X | REV. A |
| SCALE: 2.0 | REF: NONE | SHEET 4 OF 5 | |

DOCUMENT NO. RS2-PRCE22-X
SHEET 5 OF 5
REV. A



FRONT ISO VIEW
SCALE 5.000



REAR ISO VIEW
SCALE 5.000

THE USE OF THIS DOCUMENT IS UNLIMITED.
HOWEVER, DOCUMENTS REFERENCED HEREON
MAY CONTAIN LIMITED RIGHTS DATA.

| | | | |
|------------------|---------------------------|-------------------------------------|------------------|
| SIZE C | CAGE CODE 77820 | DOCUMENT NO. RS2-PRCE22-X | REV. A |
| SCALE: 2.0 | REF: NONE | SHEET 5 OF 5 | |

REV. A
SHEET 5 OF 5
DOCUMENT NO. RS2-PRCE22-X

Mouser Electronics

Authorized Distributor

Click to View Pricing, Inventory, Delivery & Lifecycle Information:

[Amphenol:](#)

[RS2-PRCE22-2](#)