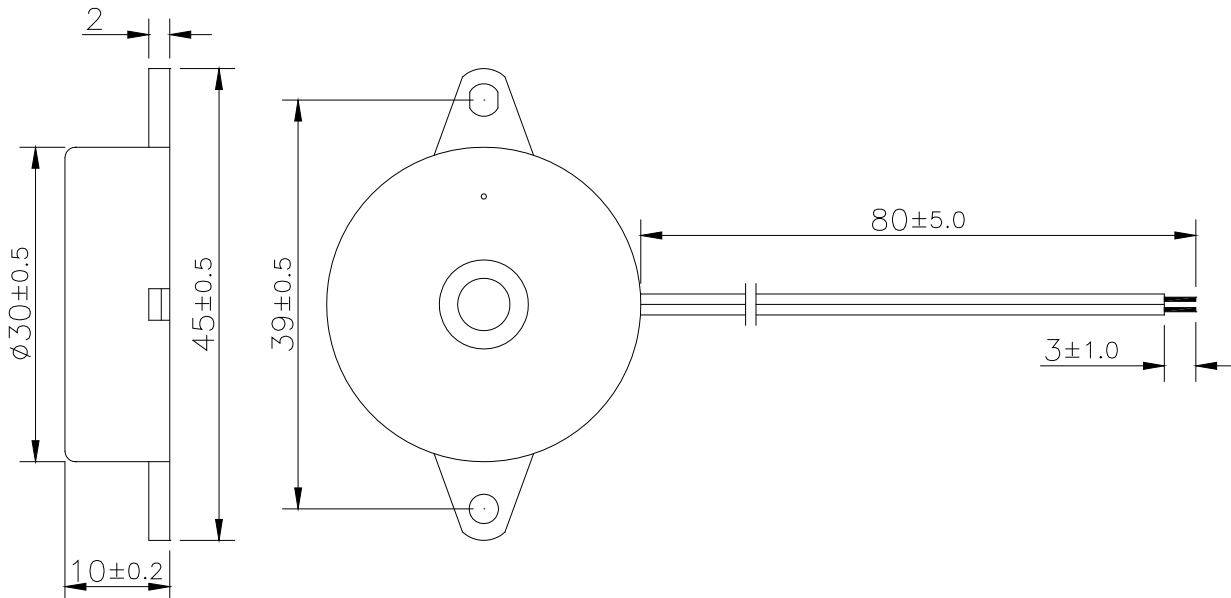


Sales Outline DrawingRevision **A****Specifications:**

Oscillation Frequency (Hz)	3500 ± 500
Operating Voltage (Vdc)	3 ~ 28
Rated Voltage (Vdc)	12
Current Consumption (mA/max)	15 at Rated Voltage
Sound Pressure Level (dB/min)	90 at 30cm at Rated voltage
Tone/Pulse Rate (Hz0)	Constant
Operating Temperature (°C)	-20 ~ +70
Storage Temperature (°C)	-30 ~ +80
Housing	ABS 757 UL94HB plastic resin (Color: Black)
Lead Wires	28 AWG
Weight (Grams)	4.8
Condition by wave soldering (°C)	245 ± 5 / 3 ± 0.5 sec
Condition by hand soldering (°C)	350 ± 20 / within 5 sec
Options	For other options contact factory

RoHS Compliant**Dimensions:** (units: mm)

Mouser Electronics

Authorized Distributor

Click to View Pricing, Inventory, Delivery & Lifecycle Information:

[Mallory Sonalert:](#)

[PK-27N36WQ](#)