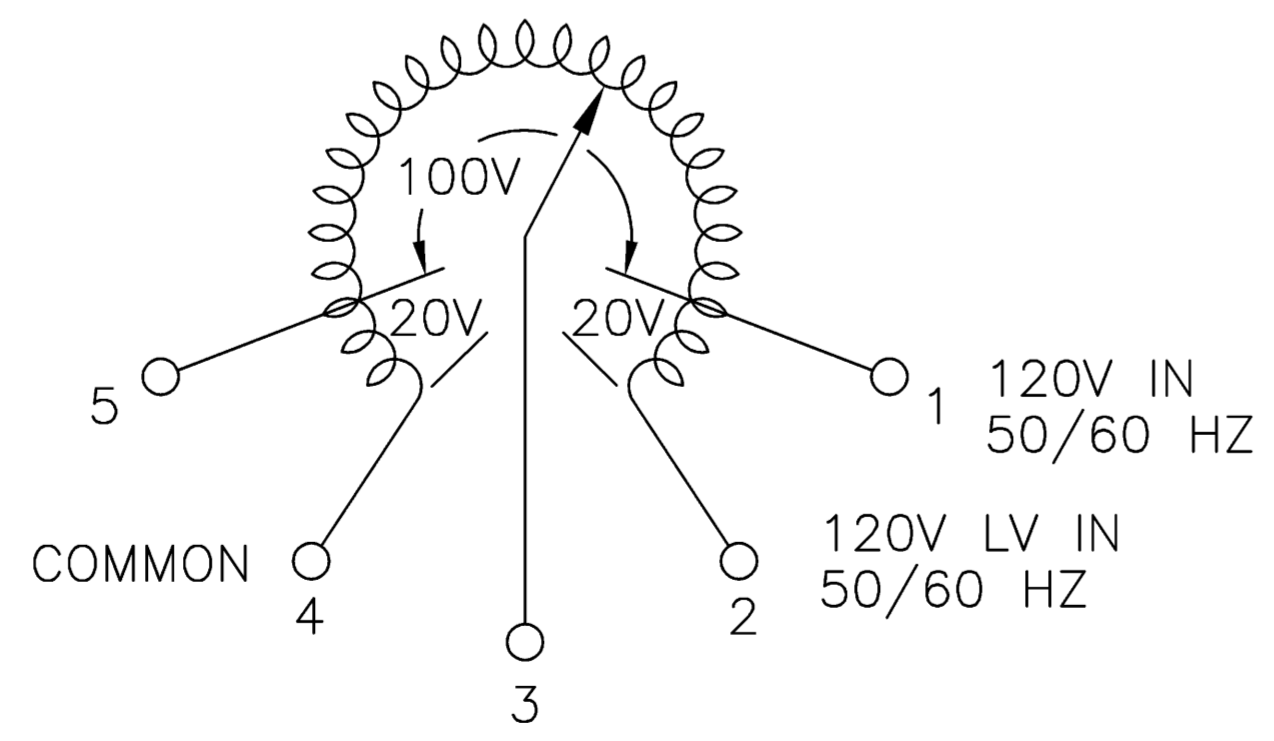
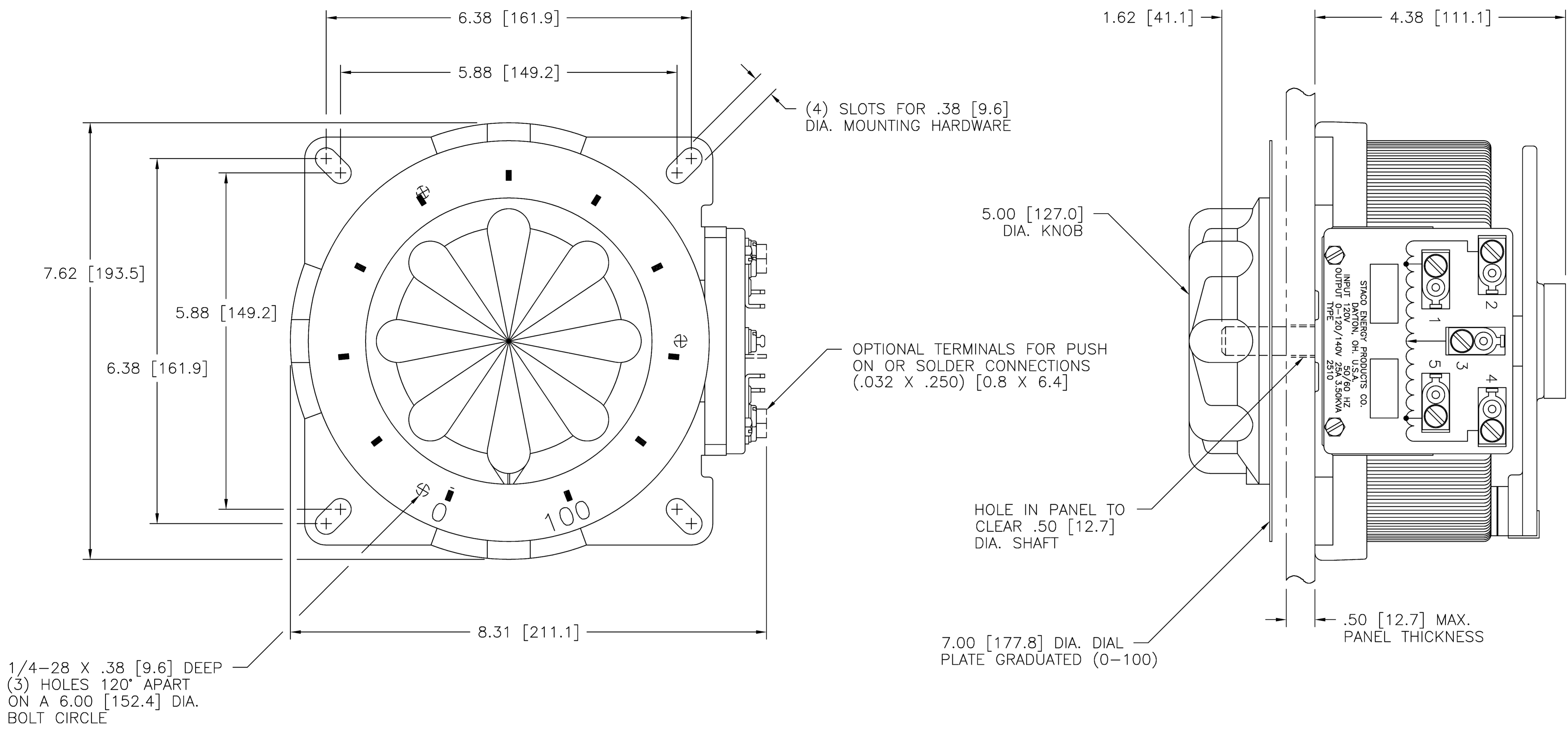


DWG. NO.	031-4301		
REVISIONS			
SYM.	E.C.N.	DATE	APVD.
G	21675	12/04/91	REVISED & REDRAWN
H	25591	10/25/05	TERM. #1 WAS 240V
J	28522	6/15/16	CORRECTED SCHEMATIC VIEW



SCHEMATIC
AS VIEWED FROM BASE END

SPECIFICATIONS											
WIRING	INPUT		OUTPUT				SHAFT ROTATION TO INCREASE VOLTAGE	TERMINAL CONNECTIONS			
	VOLTS	HERTZ	VOLTS	CONSTANT CURRENT LOAD		CONSTANT IMPEDANCE LOAD		FOR INCREASING VOLTAGE AS VIEWED FROM BASE END			
				MAX. AMPS	MAX. KVA	MAX. AMPS		MAX. KVA	INPUT	JUMPER	OUTPUT
SINGLE PHASE	120	50/60	0-120	25	3.00	30	3.6	CW	2-4	---	4-3
			0-140	25	3.50	---	---	CCW	2-4	---	2-3
								CW	1-4	---	4-3
								CCW	2-5	---	2-3

UNLESS OTHERWISE SPECIFIED, TOLERANCE IS ±		UNITS		TITLE: SPEC. CONTROL DRAWING	
DECIMALS	HOLES	ANGLES	DRAFT	TYPE: 2510	
.XX .010	.005	1°	1-1/2°	DRAWN BY: K. TOLLIVER	
.XXX .005				DATE: 11/27/91	
MATERIAL:		ALL DIMENSIONS APPLY AFTER PLATING		FIRST USED ON: 2510	
The information and design disclosed herein was originated by and is the property of STACO ENERGY PRODUCTS CO., which reserves all patent, proprietary, design, manufacturing, reproduction, use and sole rights thereto, and to any article disclosed therein except to the extent rights are expressly granted to others. The foregoing does not apply to vendor proprietary parts.				CHECKER:	DO NOT SCALE DWG.
				ENGINEER:	WEIGHT APPROX. 21 LBS.
					CAGE CODE 83008
					DWG. NO. 031-4301
				SCALE 1=1	SHEET 1 OF 1



Mouser Electronics

Authorized Distributor

Click to View Pricing, Inventory, Delivery & Lifecycle Information:

[Staco:](#)

[2510](#)