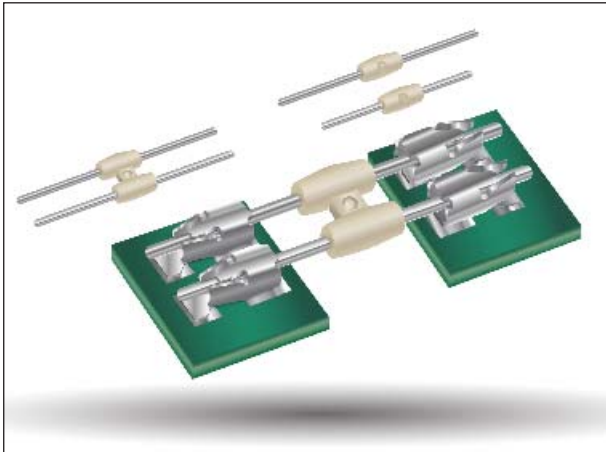
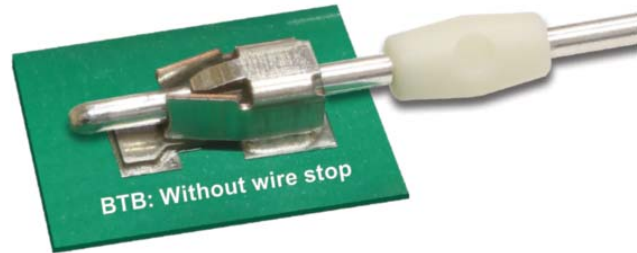


BTB Jumper

10-9296



Developed in conjunction with the 2.5mm STRIPT™ contact from AVX, this new system provides additional mating tolerance absorption over traditional connector systems in linear or coplanar applications. By designing the 709296001025016 contact without a wire stop, the pin header is allowed to pass straight thru the contacts until the final seating/mating dimension is achieved. Allowing for internal pin clearance, boards and modules can be plugged together without worrying about potentially critical tolerance stack-up issues.



APPLICATIONS

- Designed to mate with 709296001025016 horizontal PCB contact
- Single and dual pin connections between linear PCB's
- 38mm pin allows for modules to be connected where the PCB is recessed within the plastic housing.

FEATURES AND BENEFITS

- Absorption of PCB and module mating tolerances by allowing the unrestricted pin to pass through the contact by eliminating the traditional wire stop
- Two different pin lengths to accommodate board-to-board and module-to-module connections
- The unique geometry of the insulator lends itself to water tightness when matched with a corresponding housing cavity

ELECTRICAL

- Current Rating: 9 Amps
- Voltage Rating: 300V
(based on contact spacing)

ENVIRONMENTAL

- Operating Temperature: -40°C to +105°C

MECHANICAL

- Insulator Material: Glass-Filled Nylon PA-66; UL94V0
- Contact Material: Brass
- Plating: Lead-Free Tin Over Nickel
- Durability: 3 Cycles

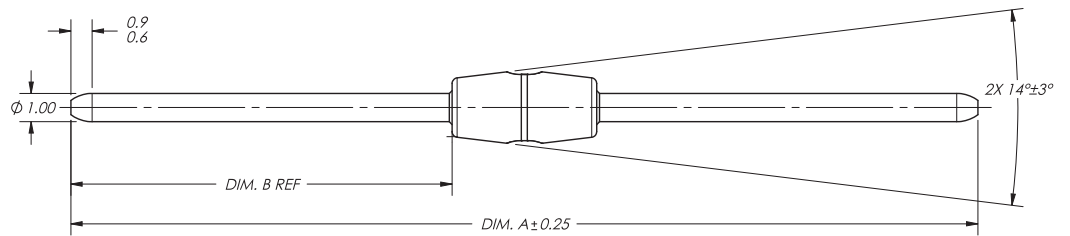
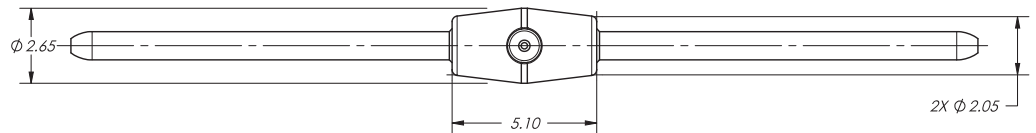
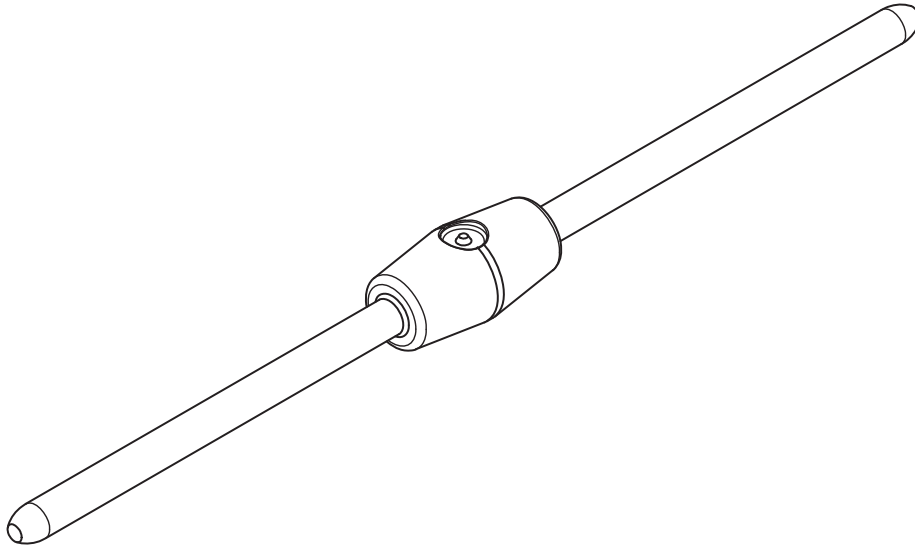
HOW TO ORDER

10	9296	00X	XXX	9	06
Prefix	Series	Number of Ways	Pin Length	Color	Plating Option
10 = Plug		001 = 1 Way 002 = 2 Way	260 = 26mm 381 = 38mm		Pure Tin

BTB Jumper

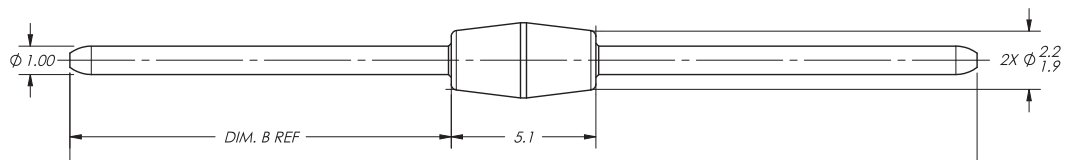
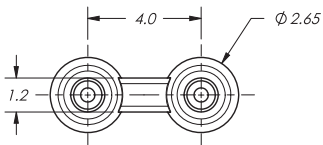
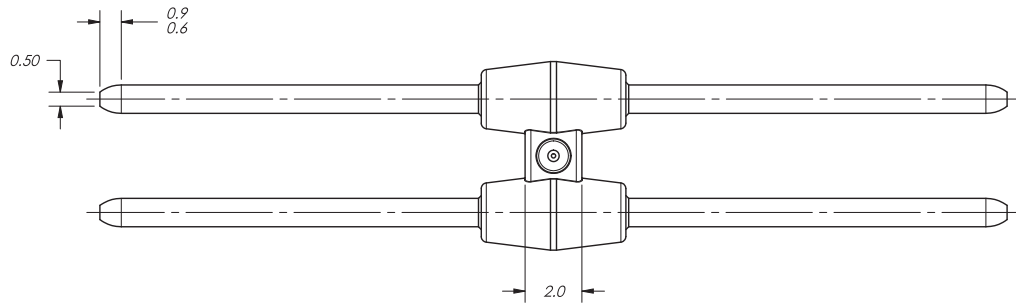
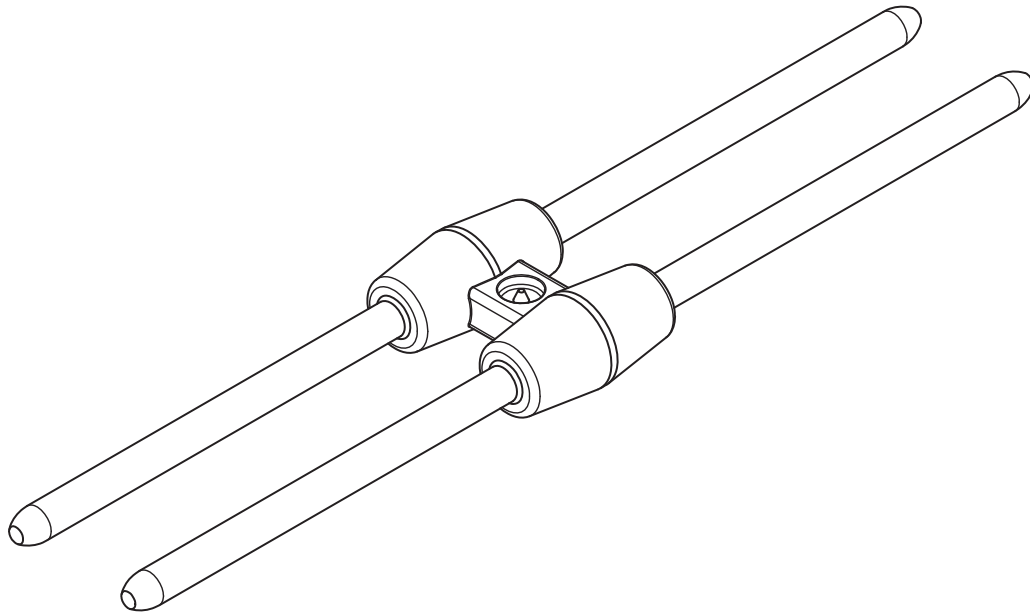
10-9296

1 PIN JUMPER HEADER FOR SERIES 9296



Part Number	Dim. A	Dim. B
10-9296-001-260-906	26.0	10.45
10-9296-001-381-906	38.15	16.525

2 PIN JUMPER HEADER FOR SERIES 9296



Part Number	Dim. A	Dim. B
10-9296-002-260-906	26.0	10.45
10-9296-002-381-906	38.15	16.525

Mouser Electronics

Authorized Distributor

Click to View Pricing, Inventory, Delivery & Lifecycle Information:

[AVX:](#)

[109296001260906](#) [109296001381906](#) [109296002260906](#) [109296002381906](#)