

# UBBL25

## Technical Datasheet



Technical Specifications	
<b>Part No.</b>	UBBL25-FL or UBBL25-C1 UBBL25-FL-TH or UBBL25-C2-TH UBBL-25-C3-TH
<b>Voltage Range</b>	9.0 to 12.6V
<b>Average Voltage</b>	10.8V
<b>Capacity</b>	4.8Ah @ C/5 Rate @ 23°C±2°C
<b>Max. Discharge</b>	3.5A continuous
<b>PTC</b>	Rated for 3.8A Hold Current @ 20°C
<b>Energy</b>	51.8Wh
<b>Energy Density</b>	184Wh/kg, 432Wh/l
<b>Weight</b>	~295g
<b>Cycle Life</b>	> 300 cycles @ C/5 to 80% of initial capacity
<b>Memory</b>	No Memory Effect
<b>Operating Temperature</b>	-20°C to 60°C
<b>Storage Temperature</b>	-20°C to 50°C
<b>Self-Discharge</b>	< 10% per month
<b>Exterior/Housing</b>	PVC Shrink Wrap
<b>Terminals/Connector</b>	FL: 22 AWG wire leads Red (+), Black (-) C1: JST Connector VHR-2N C2: Molex Connector 22-01-3037 C3: Molex Connector 22-01-3037 Alternate Pin-out
<b>Safety</b>	Material Safety Datasheet - MSDS041 Safety Guide UBI-5112
<b>Transportation</b>	Exempted from regulations for packages with gross mass of 10kg or less (see note)
<b>Protection Circuit Module and Fuses</b>	Over Voltage Limit: 4.35±0.025V (per cell) Under Voltage Limit: 2.30±0.1V (per cell) Over Discharge Current Limit: 3.5 - 4.6A
<b>Charging</b>	Recommended charge rate is 932mA to 12.6V in a temperature range of 0°C to 45°C. Hold at 12.6V until current declines to 100mA. Maximum charge rate is 3.2A @ 23°C±2°C.
<b>Note</b>	A complete description of transportation regulations, lithium weights and transportation classifications is available on the Ultralife website.

### Features

- Off-the-shelf convenience
- Wire or connector terminals
- Full circuit protection
- Thermistor wire option
- Meets all UN transportation testing
- Long cycle life
- High energy density
- Wide operating temperature range
- Lightweight
- No memory effect

### Applications

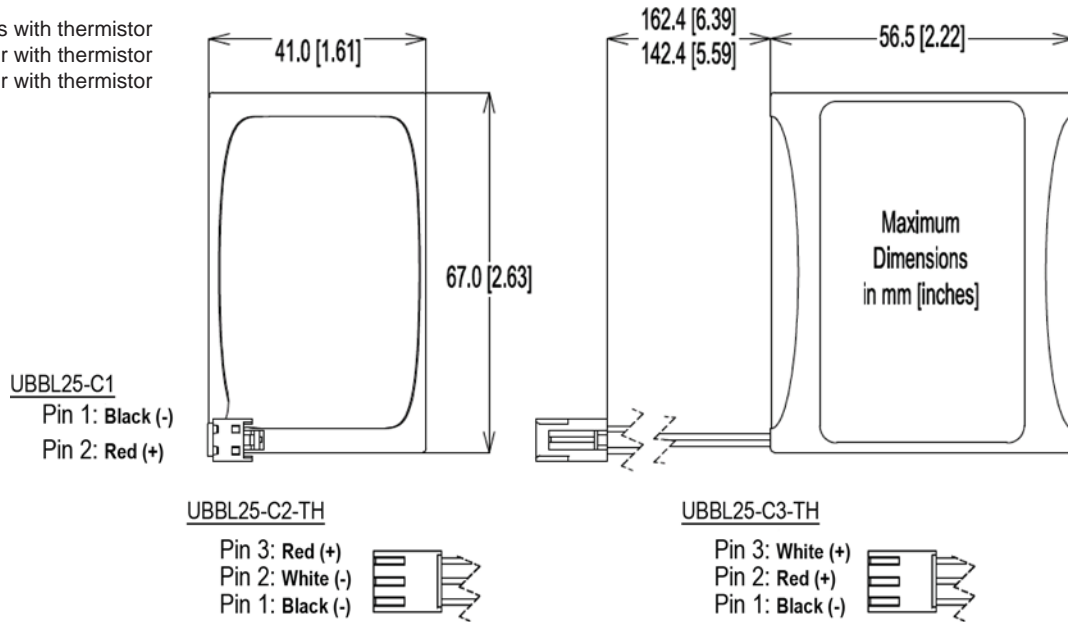
- Portable electronics
- Hand-held devices
- Medical equipment
- Back-up power

### Accessories Optional

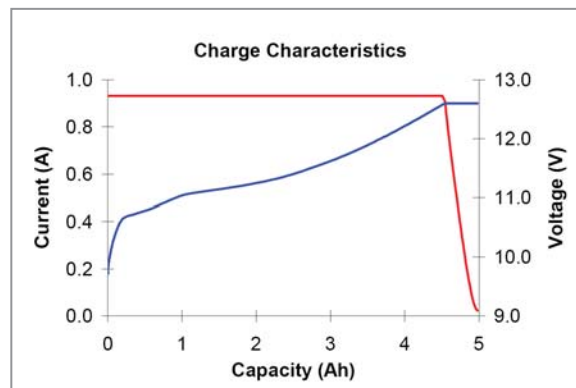
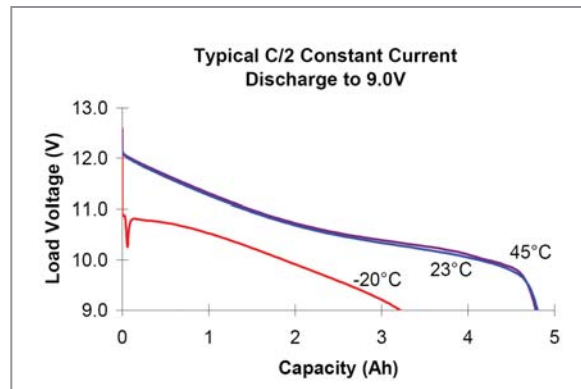
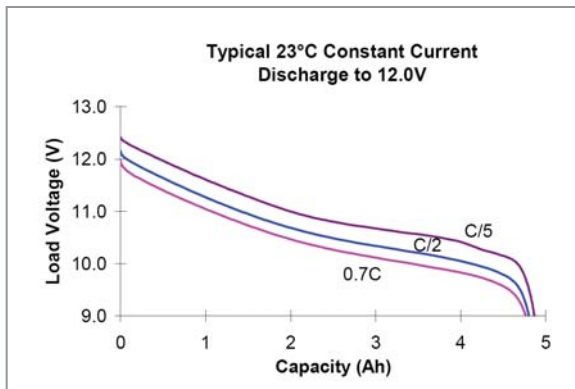
- UCH0038-S: Wall Wart charger (U.S.)
- UCH0038-I: Wall Wart charger (International)
- UCA0102-01: Interface cable for UBBL25-FL
- UCA0102-02: Interface cable for UBBL25-C1

# Dimensions

- UBBL25-FL: wire leads
- UBBL25-C1: connector
- UBBL25-FL-TH: wire leads with thermistor
- UBBL25-C2-TH: connector with thermistor
- UBBL25-C3-TH: connector with thermistor



# Performance Graphs



# Mouser Electronics

Authorized Distributor

Click to View Pricing, Inventory, Delivery & Lifecycle Information:

Ultralife:

[UBBL25-C1](#) [UBBL25-FL](#) [UBBL25-FL-TH](#)