

NPN SILICON RF TRANSISTOR

DESCRIPTION:

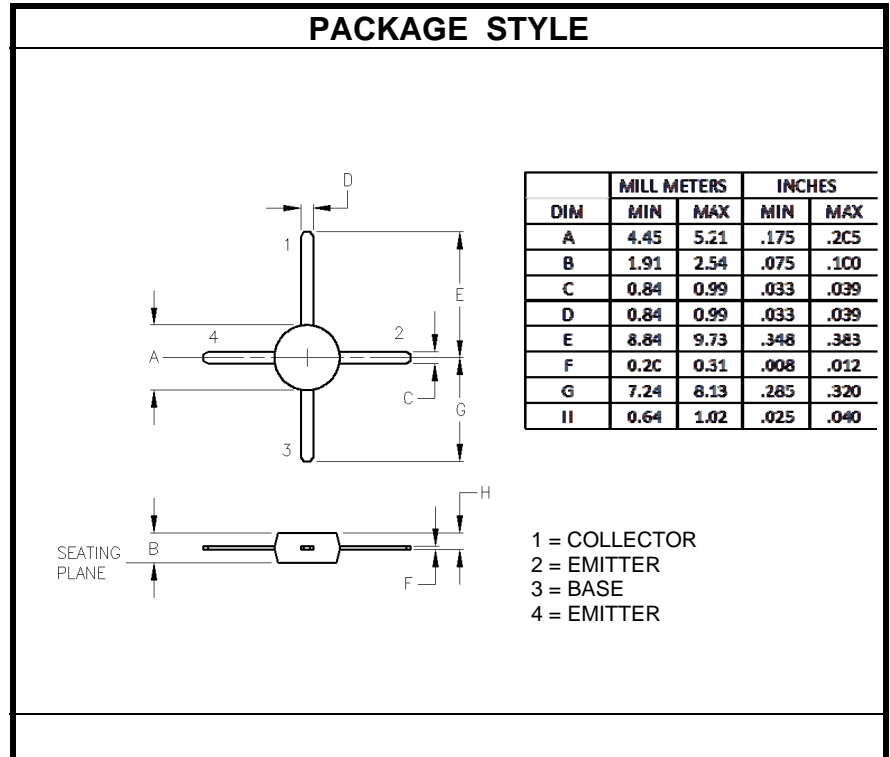
The **ASI MRF555** is designed for Wideband large signal stages in the UHF frequency range.

FEATURES:

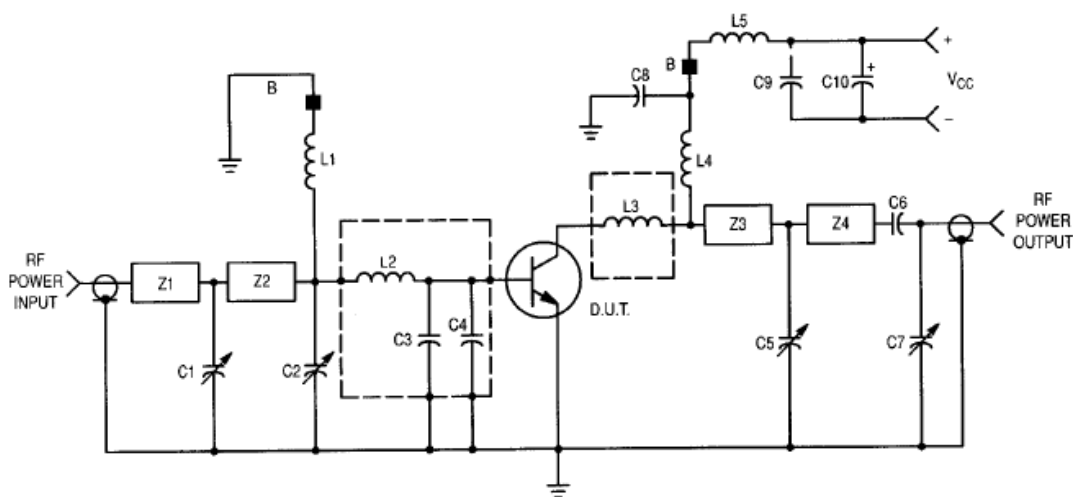
- 12.5 V, 470 MHz.
- $P_{OUT} = 1.5 W$
- $G_P = 11$ min.
- $\eta = 60\%$ (Typ)
- Available in Tape & reel by adding suffix T

MAXIMUM RATINGS

I_C	500 mA
V_{CB0}	30 V
P_{DISS}	3.0 W @ $T_C = 75^\circ C$
T_J	-65 °C to +200 °C
T_{STG}	-65 °C to +150 °C
θ_{JC}	41.7 °C/W


CHARACTERISTICS $T_C = 25^\circ C$

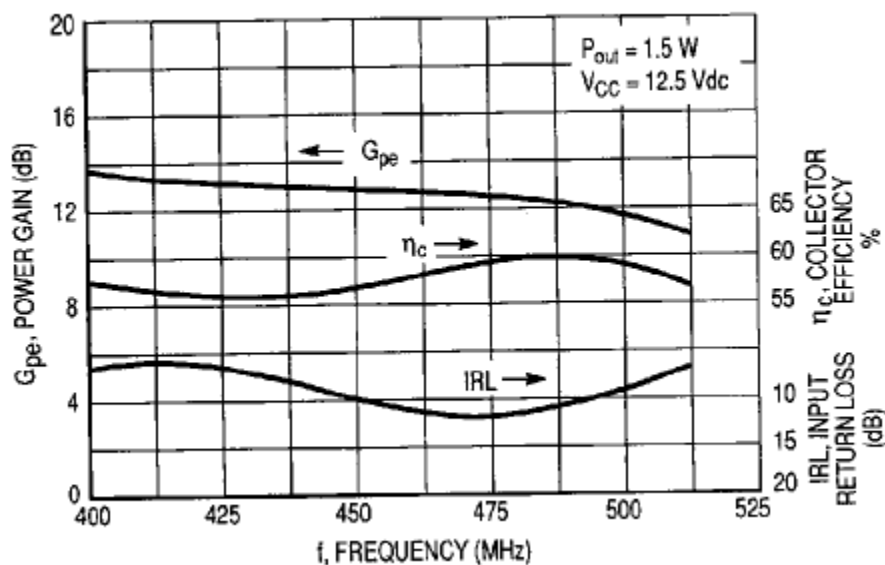
SYMBOL	TEST CONDITIONS	MINIMUM	TYPICAL	MAXIMUM	UNITS
BV_{CEO}	$I_C = 5.0$ mA	16			V
BV_{CES}	$I_C = 5.0$ mA	30			V
BV_{EBO}	$I_E = 0.1$ mA	3.0			V
I_{CES}	$V_{CE} = 15$ V			5.0	mA
h_{FE}	$V_{CE} = 5.0$ V $I_C = 100$ mA	50		200	---
C_{CB}	$V_{CB} = 10$ V $f = 1.0$ MHz			5.5	pF
G_{PE}	$V_{CE} = 12.5$ V $P_{OUT} = 1.5$ W $f = 470$ MHz	11	12.5		dB
η		50	60		%
ψ		10:1			---



- C1, C2, C5, C7 — 0.8–8.0 pF Johanson Gigatrim*
- C3, C4 — 15 pF Clamped Mica, Mini-Underwood
- C6 — 27 pF Clamped Mica, Mini-Underwood
- C8 — 91 pF Clamped Mica, Mini-Underwood
- C9 — 68 pF Clamped Mica, Mini-Underwood
- C10 — 1.0 μ F, 25 V Tantalum
- B — Bead, Ferroxcube 56–590–65/3B
- PCB — 1/16" Glass Teflon, $\epsilon_r = 2.56$

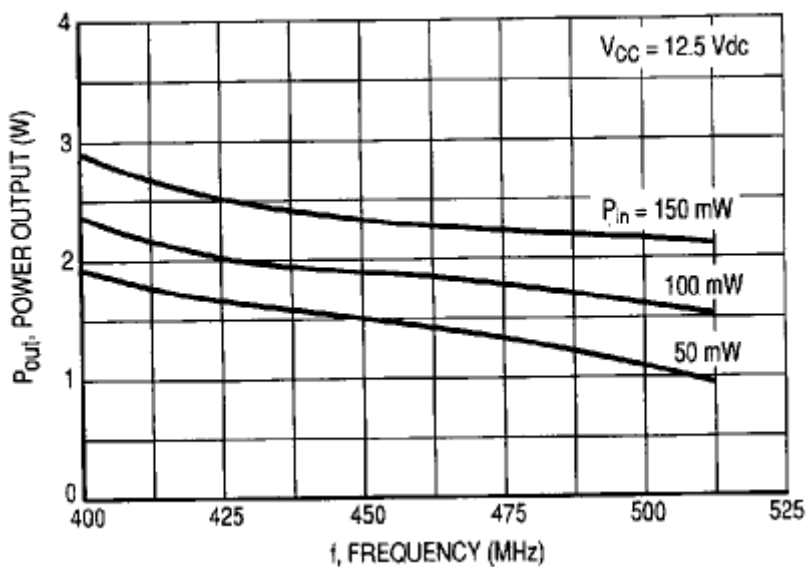
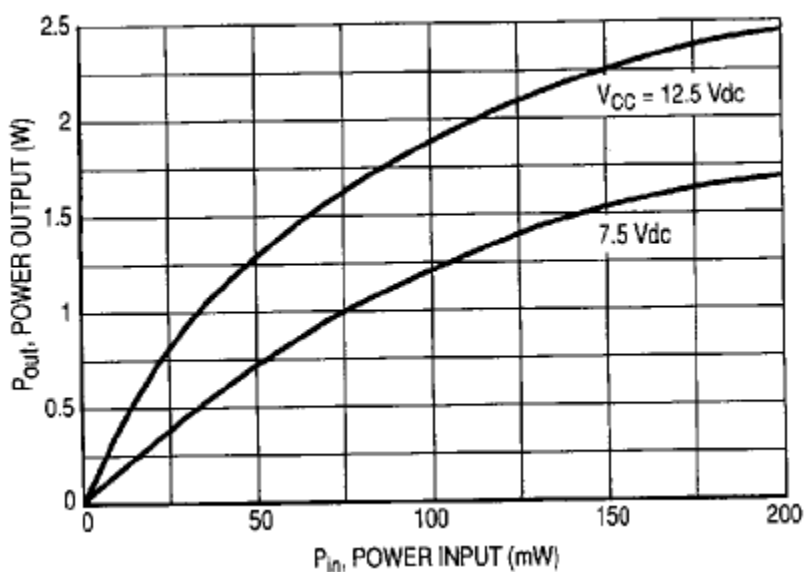
- L1, L4 — 5 Turns #21 AWG, 5/32" ID
- L2, L3 — 60 x 125 x 250 Mils Copper Tab on 27 Mil Thick Alumina Substrate
- L5 — 7 Turns #21 AWG, 5/32" ID
- Z1 — 1.65 x 0.163" Microstrip, $Z_0 = 50 \Omega$
- Z2 — 0.85 x 0.163" Microstrip, $Z_0 = 50 \Omega$
- Z3 — 0.625 x 0.163" Microstrip, $Z_0 = 50 \Omega$
- Z4 — 1.35 x 0.163" Microstrip, $Z_0 = 50 \Omega$

*Fixed tuned for broadband response.





f Frequency MHz	$Z_{IN} (\Omega)$		$Z_{OL} (\Omega)^*$	
	$V_{CC} = 7.5 V$	$V_{CC} = 12.5 V$	$V_{CC} = 7.5 V$	$V_{CC} = 12.5 V$
	$P_{IN} = 100 mW$	$P_{IN} = 50 mW$	$P_{OUT} = 400 MHz = 1.5 W$ $P_{OUT} = 450 MHz = 1.35 W$ $P_{OUT} = 512 MHz = 1.05 W$	$P_{OUT} = 400 MHz = 1.9 W$ $P_{OUT} = 450 MHz = 1.45 W$ $P_{OUT} = 512 MHz = 0.9 W$
400	2.9 - j2.7	1.9 - j3.1	18.0 - j13.4	12.2 - j19.7
450	2.2 - j0.8	2.6 - j4.0	21.6 - j9.9	20.2 - j18.6
512	3.5 - j1.2	2.6 - j2.6	20.1 - j1.0	23.4 - j23.0



Mouser Electronics

Authorized Distributor

Click to View Pricing, Inventory, Delivery & Lifecycle Information:

[Advanced Semiconductor, Inc.:](#)

[MRF555](#) [MRF555T](#)