

NPN SILICON RF POWER TRANSISTOR

DESCRIPTION:

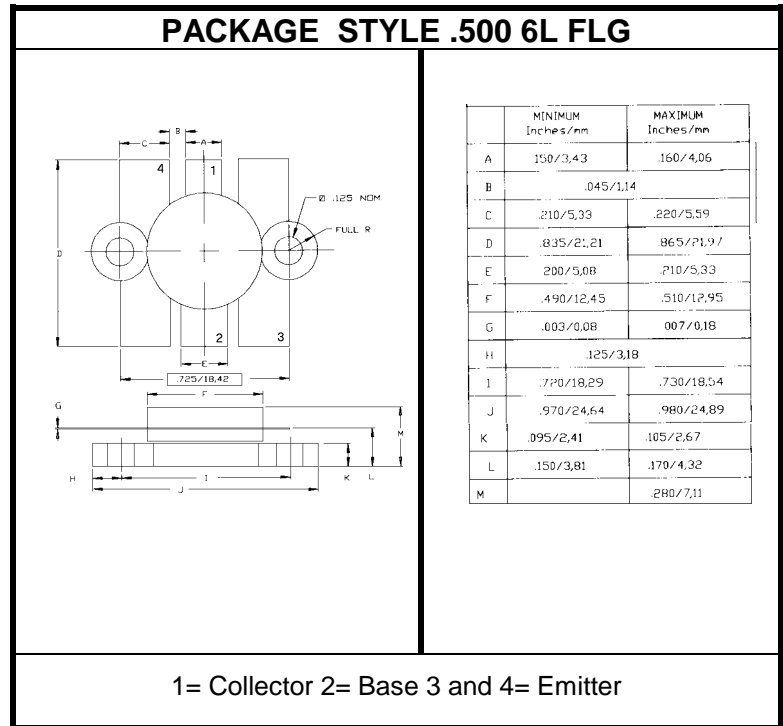
The **ASI BLV32F** is Designed for in linear v.h.f. amplifiers of television transmitters and transporters.

FEATURES:

- Diffused emitter ballasting resistors
- $P_G = 16$ dB at 10 W/224 MHz
- **Omnigold™** Metalization System

MAXIMUM RATINGS

I_C	4.0 A
V_{CBO}	60 V
V_{CEO}	32 V
V_{CES}	60 V
V_{EBO}	4.0 V
P_{DISS}	82 W @ $T_C = 25^\circ C$
T_J	$-65^\circ C$ to $+200^\circ C$
T_{STG}	$-65^\circ C$ to $+150^\circ C$
θ_{JC}	2.1 $^\circ C/W$


CHARACTERISTICS $T_C = 25^\circ C$

SYMBOL	TEST CONDITIONS		MINIMUM	TYPICAL	MAXIMUM	UNITS
BV_{CEO}	$I_C = 100$ mA		32			V
BV_{CES}	$I_C = 15$ mA		60			V
BV_{EBO}	$I_E = 10$ mA		4.0			V
I_{CES}	$V_{CE} = 32$ V				5.0	mA
h_{FE}	$V_{CE} = 25$ V	$I_C = 1.6$ A	20		120	---
C_C	$V_{CB} = 25$ V	$f = 1.0$ MHz		50		pF
P_G	$V_{CE} = 25$ V	$P_{OUT} = 10$ W	$f = 224$ MHz	16		dB

Mouser Electronics

Authorized Distributor

Click to View Pricing, Inventory, Delivery & Lifecycle Information:

[Advanced Semiconductor, Inc.:](#)

[BLV32F](#)