

5

4

3

2

1

DRAWING NO.

CPMC881-CUST

REVISIONS

OFFICAL RELEASE

01

03-05-09

Z

B

Y

T

02

07-27-11

Y

G

Y

M

L

03

INSULATOR MATERIAL WAS PTFE
 BODY MATERIAL WAS BRASS
 DIMENSIONS 11.5±0.1 WAS
 12.1±0.1; Ø5.6 WAS Ø5.23;
 Ø6.5 WAS Ø6.22; 15.0±0.3 WAS 14.8
 ADDED: CABLE STRIP
 DIMENSIONS

07-27-11

Y

G

Y

M

L

ECO-11-0270

Description: Stright BNC Crimp Plug For RG58 Style Cable

Part No: CPMC881

Application: For Cable RG58 Style

Crimp Tool: 24-9958P

Impedance: 50 Ohms

Fequency Range: 0-4 GHz

Material: Body Zinc Nickel Plated

Contact Brass Gold Plated

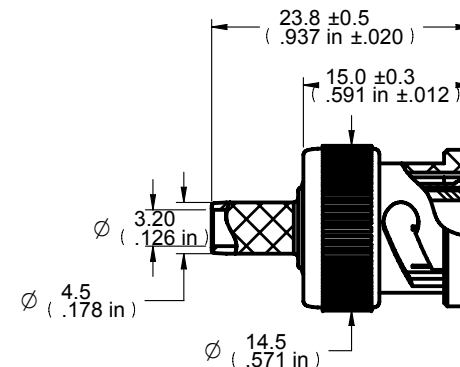
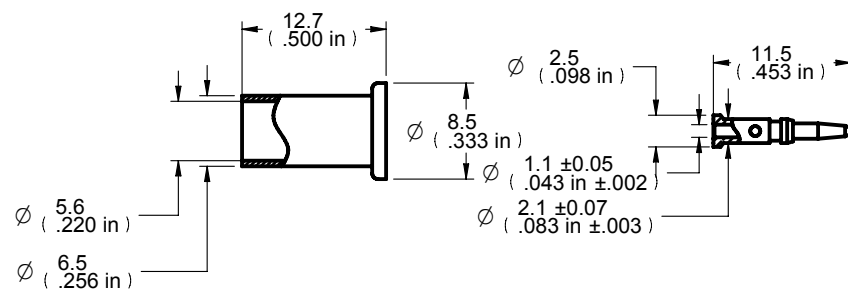
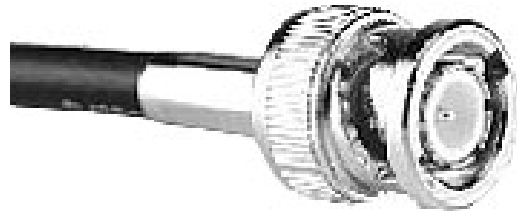
Insulator POM

Crimp Sleeve Brass Nickel Plated

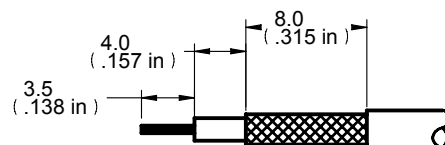
Coupling Nut Zinc Nickel Plated

RoHS Compliance: Yes

Technical Detail: Refer to Emerson Document P/N 27-0000



DIM OUTLINE



CABLE STRIP DIMENSIONS

TOLERANCE UNLESS OTHERWISE SPECIFIED		DRAWN BY YUGE HU	DATE 07-27-11
DECIMALS	mm	CHECKED BY YUGE HU	DATE 07-27-11
X	± 0.5	APPROVED BY LIN MA	DATE 07-27-11
X.X	± 0.2	U/M	mm
X.XX	± 0.1		
ANGLES	± 0.5°		

THIS DRAWING WAS PRODUCED BY COMPUTER,
 DO NOT SCALE DRAWING OR UPDATE MANUALLY.

SHEET

1 OF 1

DRAWING NO.

CPMC881-CUST

SIZE

A

CUSTOMER COPY



Connectivity
 Solutions

TITLE

STRAIGHT BNC CRIMP PLUG
 FOR R58 STYLE CABLE

D

D

C

C

B

B

A

A

5

4

3

2

1

Mouser Electronics

Authorized Distributor

Click to View Pricing, Inventory, Delivery & Lifecycle Information:

[Cinch Connectivity Solutions:](#)

[CPMC-88-1](#)