

**PRECISION QUAD P-CHANNEL ENHANCEMENT MODE  
EPAD® MATCHED PAIR MOSFET ARRAY**

**$V_{GS(th)} = -0.80V$**

**GENERAL DESCRIPTION**

ALD310708A/ALD310708 high precision monolithic quad P-Channel MOSFET arrays are matched at the factory using ALD's proven EPAD® CMOS technology. These devices are members of the EPAD® Matched Pair MOSFET Family. The ALD310708A/ALD310708 is a P-channel version of the popular ALD110808A/ALD110808 Precision Threshold device. Together, these two part series enable precision complementary N channel and P channel MOSFET array based circuits.

Intended for low voltage and low power small signal applications, the ALD310708A/ALD310708 features precision  $-0.80V$  Gate Threshold Voltage, which enables circuit designs with very low operating voltages such as 0.5V power supplies where the circuits operate below the threshold voltage of the ALD310708A/ALD310708. This feature also enhances input/output signal operating ranges, especially in very low operating voltage environments. With these low threshold precision devices, a circuit with multiple cascading stages can be constructed to operate at extremely low supply or bias voltage levels. ALD310708A/ALD310708 also features high input impedance ( $2.5 \times 10^{10}\Omega$ ) and high DC current gain ( $>10^8$ ).

ALD310708A/ALD310708 MOSFETs are designed for exceptional matching of device electrical characteristics. The Gate Threshold Voltage  $V_{GS(th)}$  is set precisely at  $-0.80V \pm 0.02V$ , featuring a typical offset voltage of only  $\pm 0.001V$  (1mV). As these devices are on the same monolithic chip, they also exhibit excellent temperature tracking characteristics. They are versatile design components for a broad range of precision analog applications such as basic building blocks for current mirrors, matching circuits, current sources, differential amplifier input stages, transmission gates, and multiplexers. These devices also excel in limited operating voltage applications such as very low level precision voltage-clamps. In addition to matched pair electrical characteristics, each individual MOSFET exhibits individual well controlled manufacturing characteristics, enabling the user to depend on tight design limits from different production batches.

(Continued on next page)

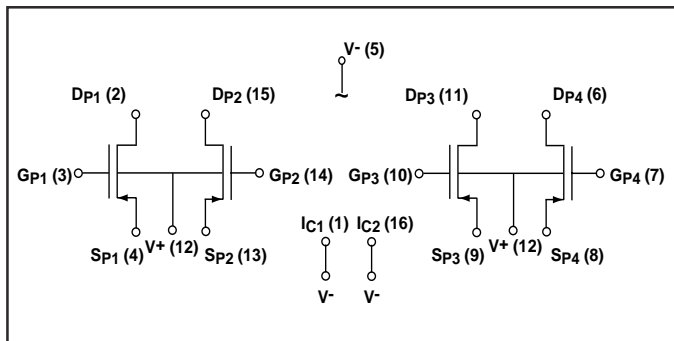
**APPLICATIONS**

- Precision Low overhead current mirrors and sources
- Zero Power Normally-On Circuits
- Energy harvesting circuits
- Very low voltage analog and digital circuits
- Zero Power fail-safe circuits
- Backup battery circuits & power failure detectors
- Precision Low level voltage-clamps
- Low Level zero-crossing detector
- Source followers and buffers
- Precision current mirrors and current sources
- Precision Capacitive probes and sensor interfaces
- Precision Charge detectors and charge integrators
- Discrete Differential amplifier input stage
- High-side switches
- Peak-detectors and level-shifters
- Sample-and-Hold switches
- Current multipliers
- Discrete Analog switches / multiplexers
- Discrete Voltage comparators

**FEATURES & BENEFITS**

- Precision matched threshold voltage
- $V_{GS(th)}$  match ( $V_{OS}$ ) to 2mV/10mV max.
- Sub-threshold voltage operation
- Low min. operating voltage of less than 0.8V
- Ultra low min. operating current of less than 1nA
- Nano-power operation
- Wide dynamic operating current ranges
- Exponential operating current ranges
- Matched transconductance and output conductance
- Matched and tracked temperature characteristics
- Tight lot-to-lot parametric control
- Positive, zero, and negative  $V_{GS(th)}$  tempco bias currents
- Low input capacitance
- Low input/output leakage currents

**BLOCK DIAGRAM**

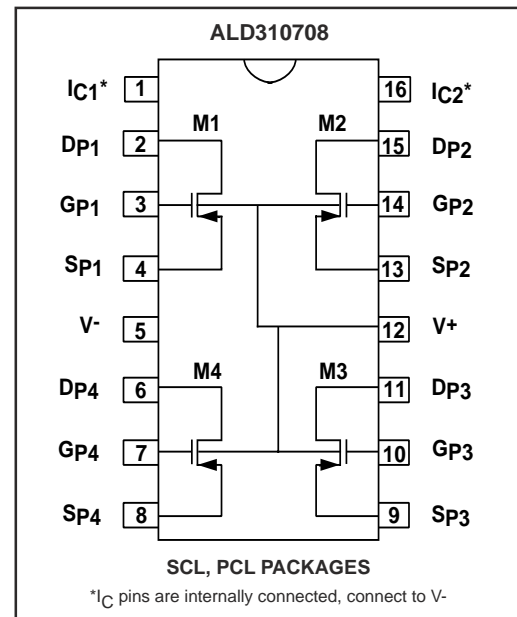


**ORDERING INFORMATION** ("L" suffix denotes lead-free (RoHS))

Operating Temperature Range * 0°C to +70°C	
16-Pin SOIC Package	16-Pin Plastic Dip Package
ALD310708ASCL ALD310708SCL	ALD310708APCL ALD310708PCL

\*Contact factory for industrial temp. range or user-specified threshold voltage values.

**PIN CONFIGURATION**



## GENERAL DESCRIPTION (cont.)

These devices are built to offer minimum offset voltage and differential thermal response, and they can also be used for switching and amplifying applications in -0.5V to -8.0V ( $\pm 0.25V$  to  $\pm 4.0V$ ) powered systems where low input bias current, low input capacitance, and fast switching speed are desired. These devices, exhibiting well controlled turn-off and sub-threshold characteristics, operate the same as standard enhancement mode P-Channel MOSFETs. However, the precision of the Gate Threshold Voltage enable two key additional characteristics, or operating features. First, the operating current level varies exponentially with gate bias voltage at

or below the Gate Threshold Voltage (subthreshold region). Second, the circuit can be biased and operated in the subthreshold region with nA of bias current and nW of power dissipation.

For most general applications, connect the V+ pin to the most positive voltage and the V- and IC (internally-connected) pins to the most negative voltage in the system. All other pins must have voltages within these voltage limits at all times. Standard ESD protection facilities and procedures for static sensitive devices are required when handling these devices.

## ABSOLUTE MAXIMUM RATINGS

Drain-Source voltage, $V_{DS}$	_____	-8.0V
Gate-Source voltage, $V_{GS}$	_____	-8.0V
Operating Current	_____	80mA
Power dissipation	_____	500mW
Operating temperature range SCL, PCL	_____	0°C to +70°C
Storage temperature range	_____	-65°C to +150°C
Lead temperature, 10 seconds	_____	+260°C

**CAUTION: ESD Sensitive Device. Use static control procedures in ESD controlled environment.**

## OPERATING ELECTRICAL CHARACTERISTICS

V+ = +5V V- = GND  $T_A = 25^\circ\text{C}$  unless otherwise specified

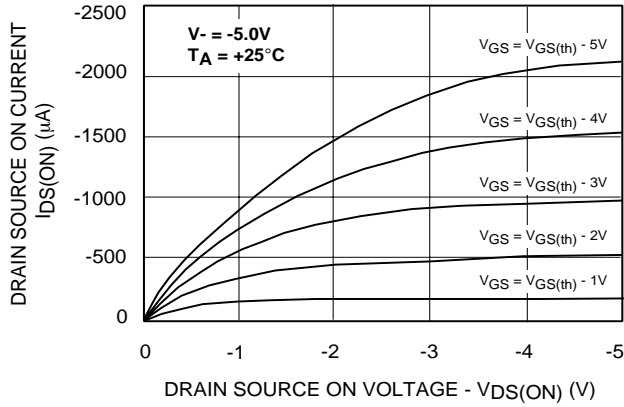
Parameter	Symbol	ALD310708A			ALD310708			Unit	Test Conditions
		Min	Typ	Max	Min	Typ	Max		
Gate Threshold Voltage	$V_{GS(th)}$	-0.82	-0.80	-0.78	-0.82	-0.80	-0.78	V	$I_{DS} = -1\mu\text{A}$ , $V_{DS} = -0.1V$
Offset Voltage	VOS		1	2		2	10	mV	$V_{GS(th)M1} - V_{GS(th)M2}$ or $V_{GS(th)M3} - V_{GS(th)M4}$
Gate Threshold Temperature	$TCV_{GS(th)}$		-2			-2		mV/°C	
Drain Source On Current	$I_{DS(ON)}$		-1.68			-1.68		mA	$V_{GS} = V_{DS} = -5.0V$
Transconductance Current <sup>2</sup>	$G_{FS}$		570			570		$\mu\text{A}/V$	$V_{GS} = V_{DS} = -5.0V$
Transconductance Mismatch	$\Delta G_{FS}$		0.5			1		%	$V_{GS} = V_{DS} = -5.0V$
Output Conductance <sup>2</sup>	$G_{OS}$		48			48		$\mu\text{A}/V$	$V_{GS(th)} = -4.0V$ , $V_{DS} = -5.0V$
Drain Source On Resistance	$R_{DS(ON)}$		1.2			1.2		K $\Omega$	$V_{GS} = -5.0V$ , $V_{DS} = -0.1V$
Drain Source On Resistance Mismatch	$\Delta R_{DS(ON)}$		0.5			0.5		%	
Drain Source Breakdown	$BV_{DSX}$	-8.0			-8.0			V	
Drain Source Leakage Current <sup>1</sup>	$I_{DS(OFF)}$			400			400	pA	
Gate Leakage Current	$I_{GSS}$			200			200	pA	
Input Capacitance <sup>2</sup>	$C_{ISS}$		2.5			2.5		pF	

Notes: <sup>1</sup> Consists of junction leakage currents

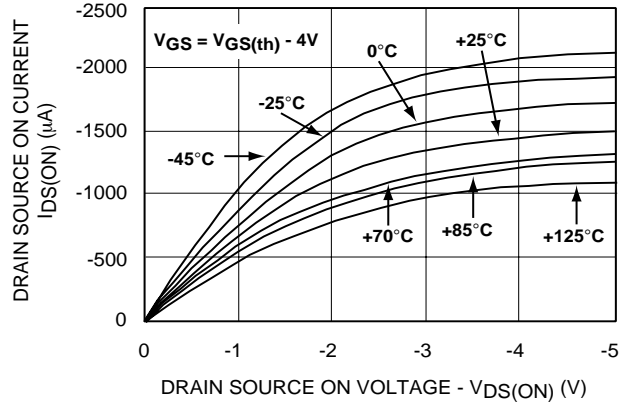
<sup>2</sup> Sample tested parameters

# TYPICAL PERFORMANCE CHARACTERISTICS

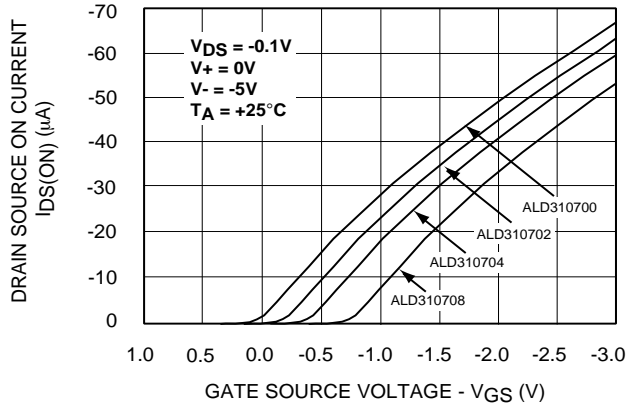
## OUTPUT CHARACTERISTICS



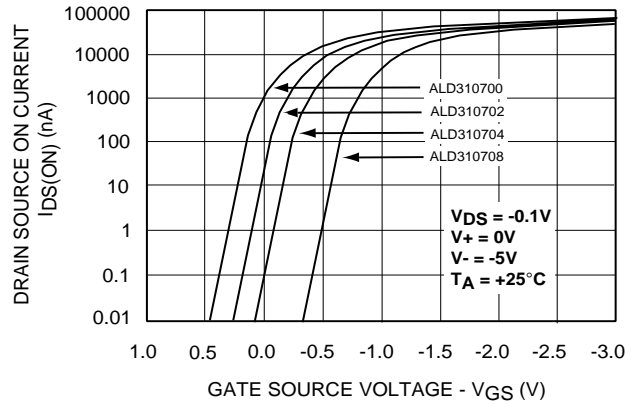
## OUTPUT CHARACTERISTICS



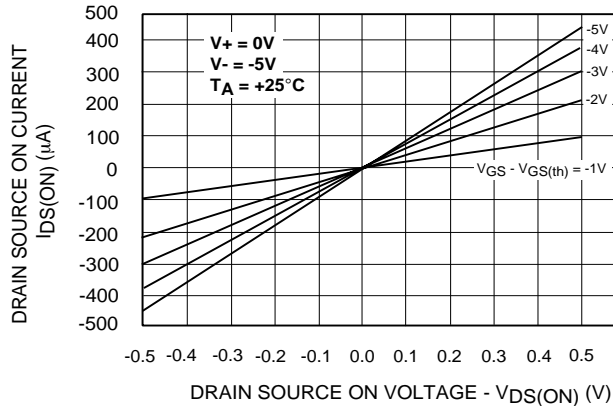
## FORWARD TRANSFER CHARACTERISTICS



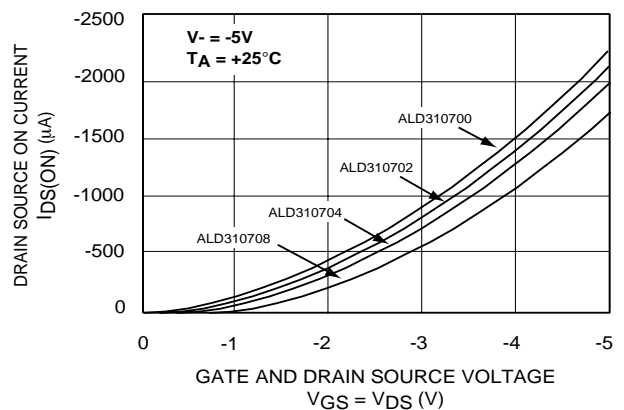
## FORWARD TRANSFER CHARACTERISTICS EXPANDED (SUBTHRESHOLD)



## LOW VOLTAGE OUTPUT CHARACTERISTICS

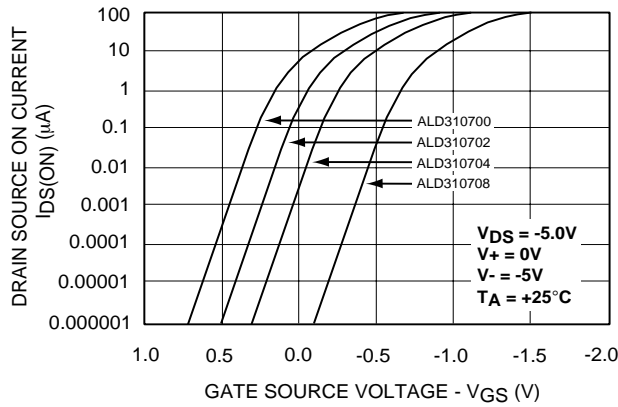


## DRAIN SOURCE ON CURRENT vs. GATE AND DRAIN SOURCE VOLTAGE

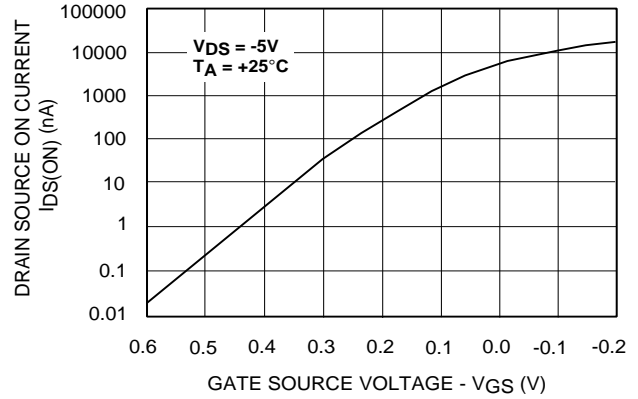


## TYPICAL PERFORMANCE CHARACTERISTICS (cont.)

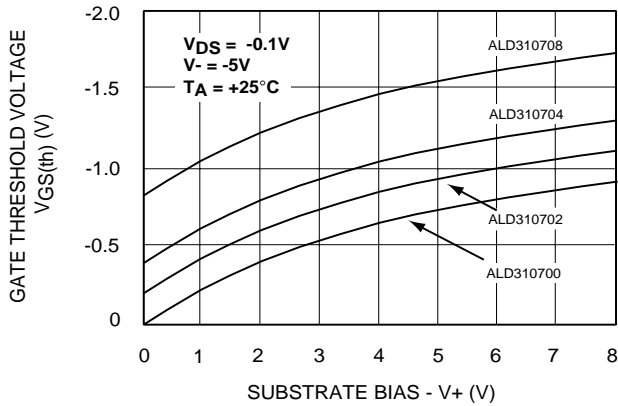
**FORWARD TRANSFER CHARACTERISTICS  
EXPANDED (SUBTHRESHOLD)**



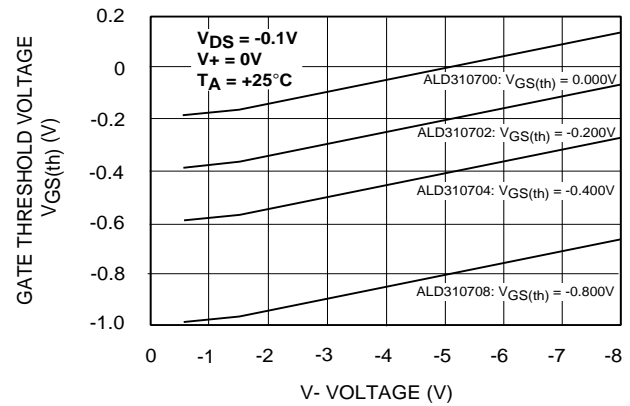
**FORWARD TRANSFER CHARACTERISTICS  
FURTHER EXPANDED (SUBTHRESHOLD)**



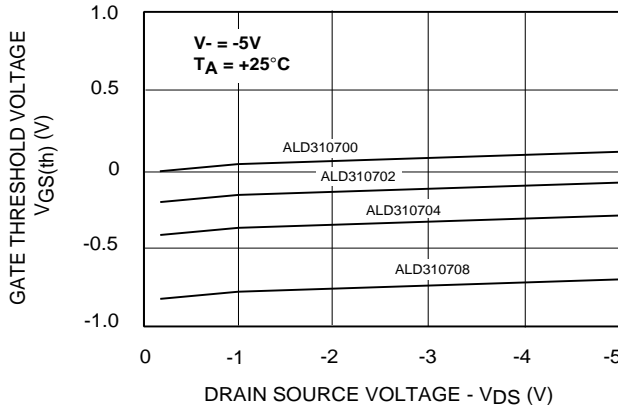
**GATE THRESHOLD VOLTAGE  
vs. SUBSTRATE BIAS**



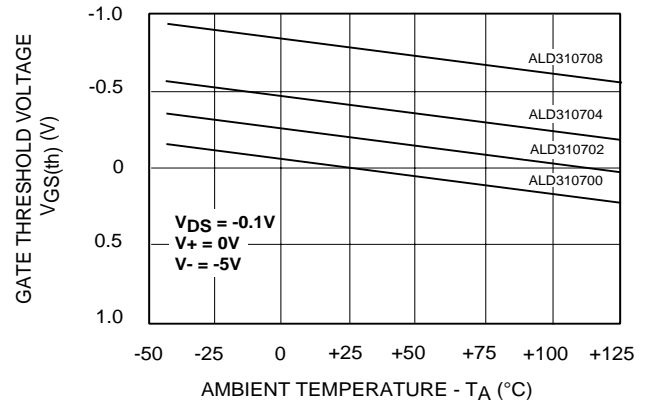
**GATE THRESHOLD VOLTAGE  
vs. V- VOLTAGE**



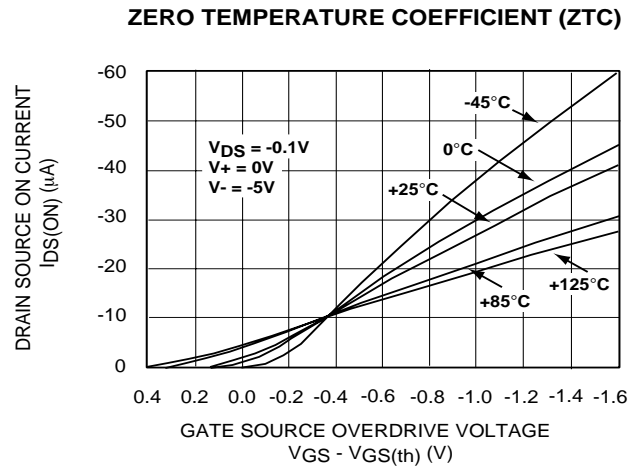
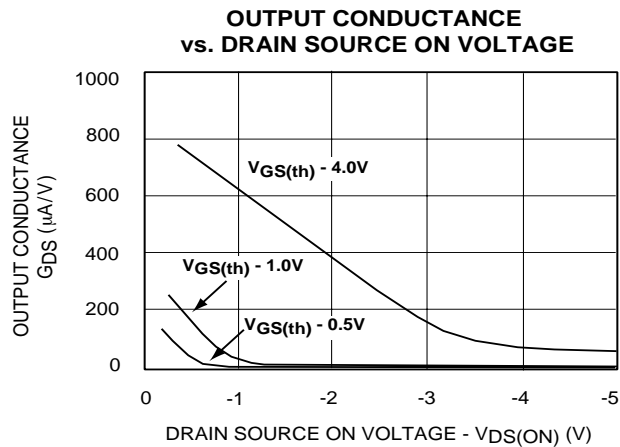
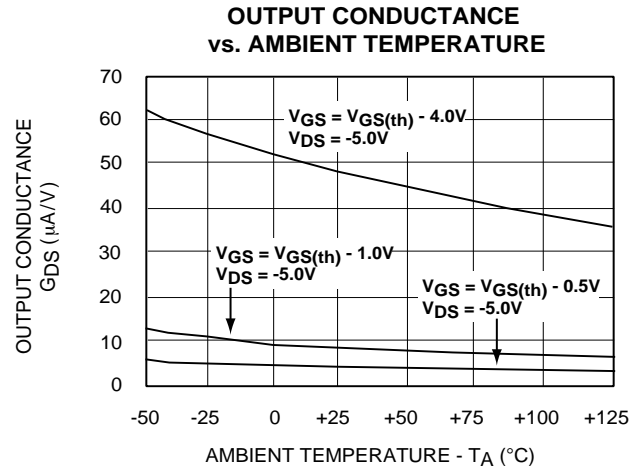
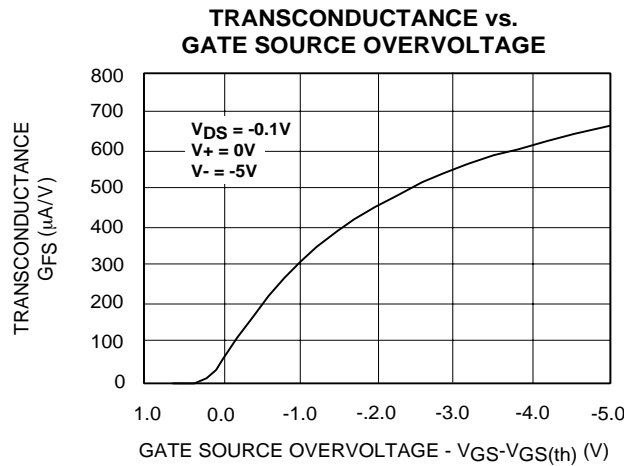
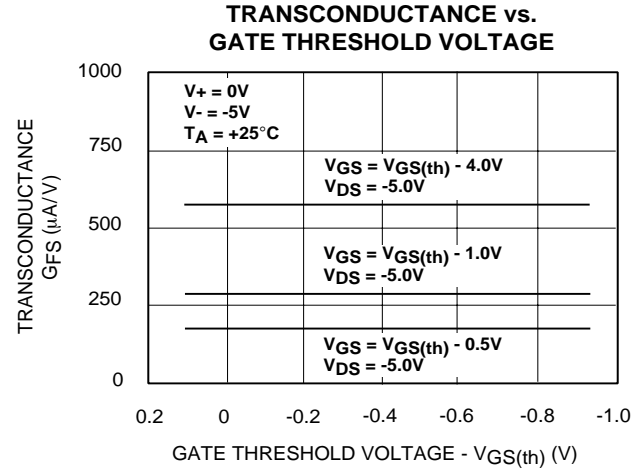
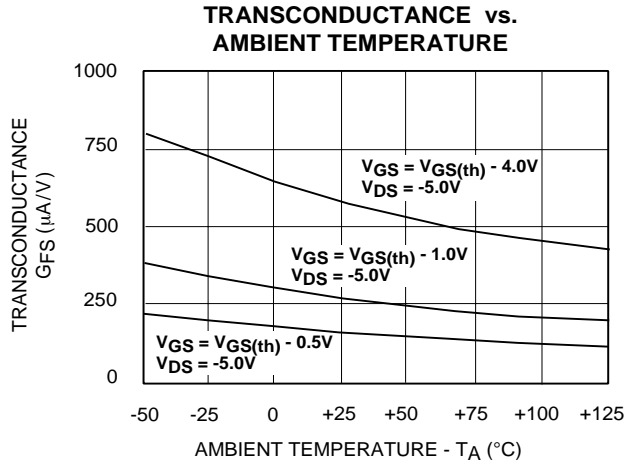
**GATE THRESHOLD VOLTAGE vs.  
DRAIN SOURCE VOLTAGE**



**GATE THRESHOLD VOLTAGE  
vs. AMBIENT TEMPERATURE**

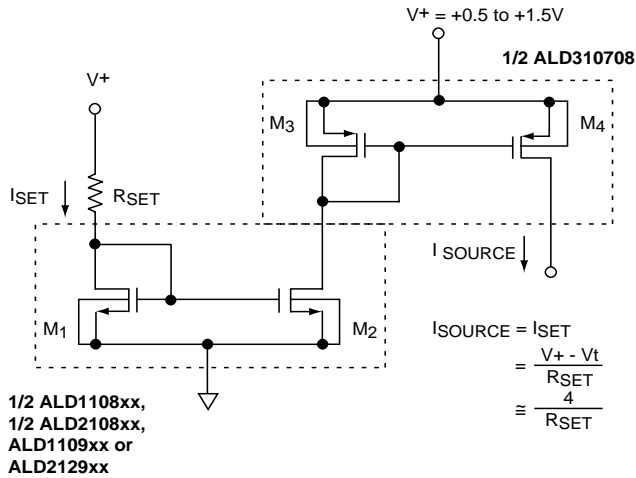


## TYPICAL PERFORMANCE CHARACTERISTICS (cont.)



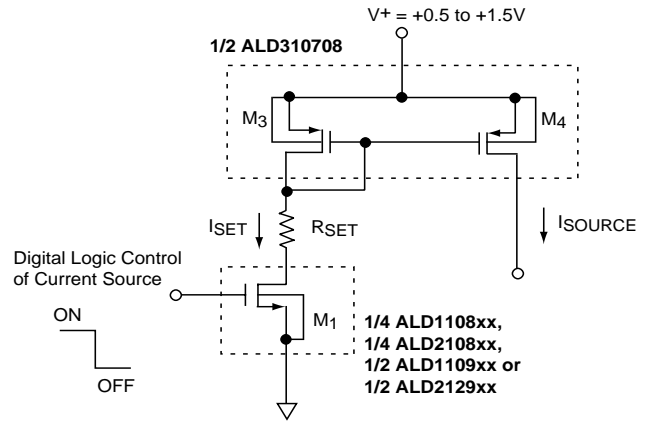
## TYPICAL APPLICATIONS

### LOW VOLTAGE CURRENT SOURCE MIRROR



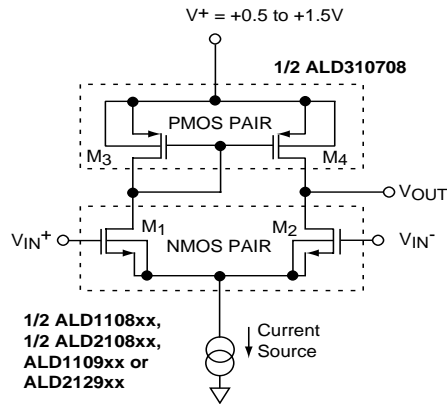
M<sub>1</sub>, M<sub>2</sub>: N-Channel MOSFET  
M<sub>3</sub>, M<sub>4</sub>: P-Channel MOSFET

### LOW VOLTAGE CURRENT SOURCE W/ GATE CONTROL



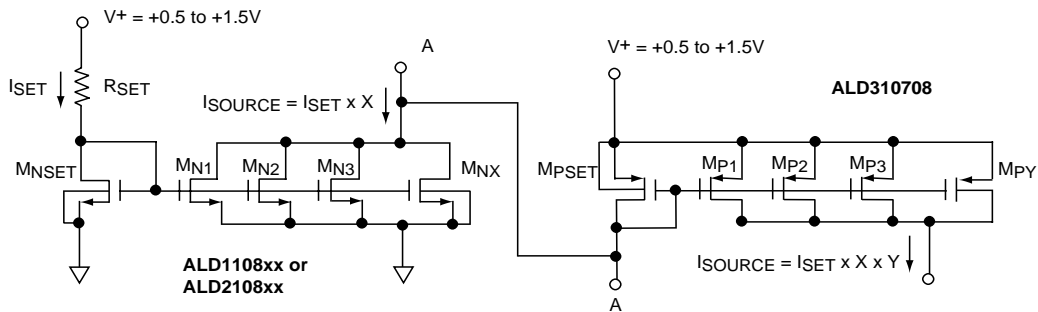
M<sub>1</sub> : N-Channel MOSFET  
M<sub>3</sub>, M<sub>4</sub>: P-Channel MOSFET

### LOW VOLTAGE DIFFERENTIAL AMPLIFIER



M<sub>1</sub>, M<sub>2</sub>: N-Channel MOSFET  
M<sub>3</sub>, M<sub>4</sub>: P-Channel MOSFET

### LOW VOLTAGE CURRENT SOURCE MULTIPLICATION

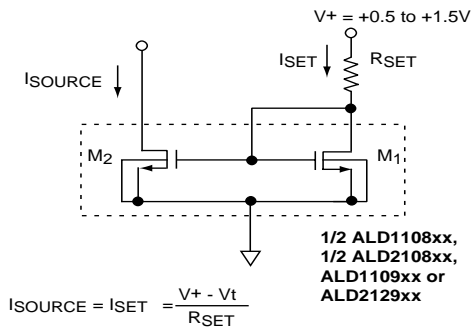


M<sub>NSET</sub>: M<sub>N1</sub>, M<sub>N2</sub>..M<sub>NX</sub>: N-Channel MOSFET

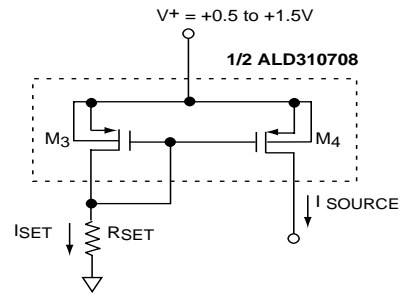
M<sub>PSET</sub>: M<sub>P1</sub>, M<sub>P2</sub>..M<sub>PY</sub>: P-Channel MOSFET

# TYPICAL APPLICATIONS (cont.)

## BASIC CURRENT SOURCES

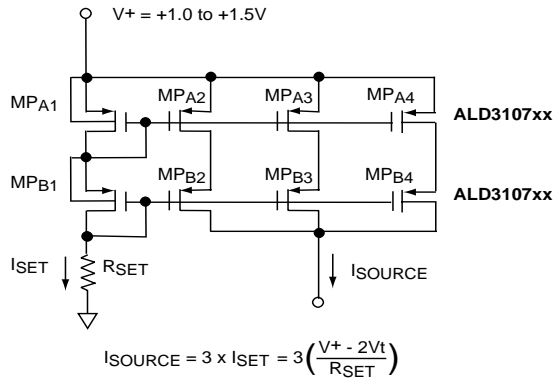


M<sub>1</sub>, M<sub>2</sub>: N-Channel MOSFET



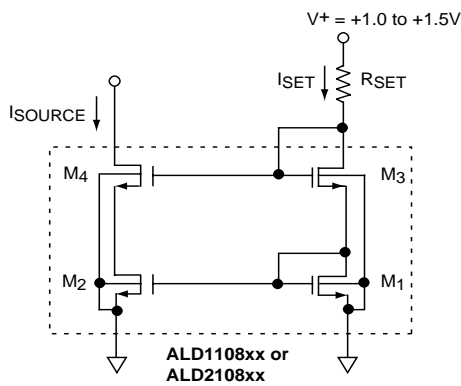
M<sub>3</sub>, M<sub>4</sub>: P-Channel MOSFET

## PRECISION LOW VOLTAGE CASCODE CURRENT SOURCES

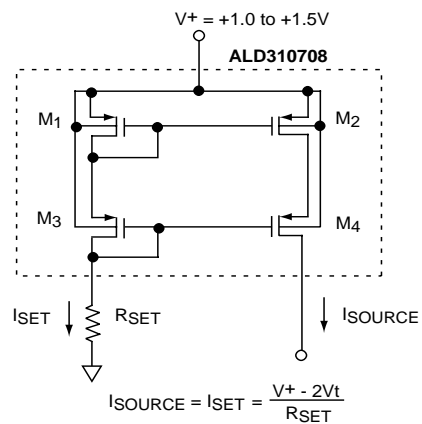


MP<sub>A</sub>, M<sub>1</sub>..M<sub>4</sub>: ALD310708 P-Channel MOSFET (1st individual quad pkg)  
 MP<sub>B</sub>, M<sub>1</sub>..M<sub>4</sub>: ALD310708 P-Channel MOSFET (2nd individual quad pkg)

## PRECISION LOW VOLTAGE CASCODE CURRENT SOURCES



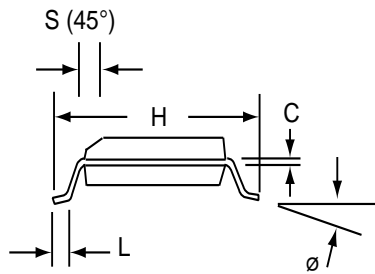
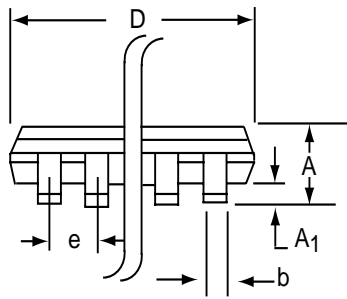
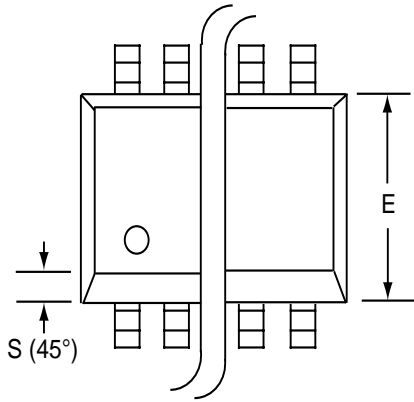
M<sub>1</sub>, M<sub>2</sub>, M<sub>3</sub>, M<sub>4</sub>: N-Channel MOSFET



M<sub>1</sub>, M<sub>2</sub>, M<sub>3</sub>, M<sub>4</sub>: P-Channel MOSFET

# SOIC-16 PACKAGE DRAWING

## 16 Pin Plastic SOIC Package

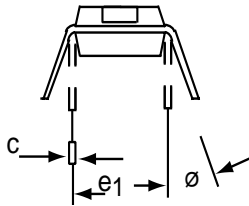
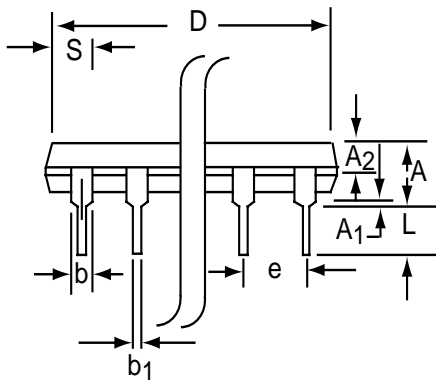
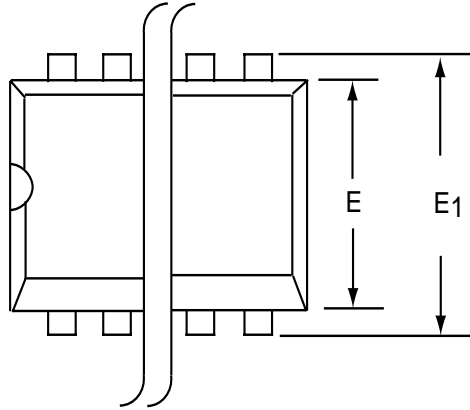


Dim	Millimeters		Inches	
	Min	Max	Min	Max
<b>A</b>	1.35	1.75	0.053	0.069
<b>A<sub>1</sub></b>	0.10	0.25	0.004	0.010
<b>b</b>	0.35	0.45	0.014	0.018
<b>C</b>	0.18	0.25	0.007	0.010
<b>D-16</b>	9.80	10.00	0.385	0.394
<b>E</b>	3.50	4.05	0.140	0.160
<b>e</b>	1.27 BSC		0.050 BSC	
<b>H</b>	5.70	6.30	0.224	0.248
<b>L</b>	0.60	0.937	0.024	0.037
<b>∅</b>	0°	8°	0°	8°
<b>S</b>	0.25	0.50	0.010	0.020



# PDIP-16 PACKAGE DRAWING

## 16 Pin Plastic DIP Package



Dim	Millimeters		Inches	
	Min	Max	Min	Max
A	3.81	5.08	0.105	0.200
A <sub>1</sub>	0.38	1.27	0.015	0.050
A <sub>2</sub>	1.27	2.03	0.050	0.080
b	0.89	1.65	0.035	0.065
b <sub>1</sub>	0.38	0.51	0.015	0.020
c	0.20	0.30	0.008	0.012
D-16	18.93	21.33	0.745	0.840
E	5.59	7.11	0.220	0.280
E <sub>1</sub>	7.62	8.26	0.300	0.325
e	2.29	2.79	0.090	0.110
e <sub>1</sub>	7.37	7.87	0.290	0.310
L	2.79	3.81	0.110	0.150
S-16	0.38	1.52	0.015	0.060
ø	0°	15°	0°	15°

# Mouser Electronics

Authorized Distributor

Click to View Pricing, Inventory, Delivery & Lifecycle Information:

[Advanced Linear Devices:](#)

[ALD310708PAL](#) [ALD310708SAL](#)